

Signet 515/2536 Rotor-X Flow Sensors

3-0515.090 Rev. 27 03/20

Operating Instructions515 Sensor
(with red cap)8510 Integral
Sensor2536 Sensor
(with blue cap)8512 Integral
Sensor2536 Sensor
(with grey cap)

- [English](#)
- [Deutsch](#)
- [Français](#)
- [Español](#)
- [中文](#)
- [한국어](#)

**Description****Operating Instructions for all versions of 515/8510 and 2536/8512**

Simple to install with time-honored reliable performance, Signet 515 and 2536 Rotor-X Paddlewheel Flow Sensors are highly repeatable, rugged sensors that offer exceptional value with little or no maintenance.

Signet 515 and 2536 sensors measure liquid flow rates in full pipes and can be used in low pressure systems.

- The many material choices including PP, PVDF, and PVC (2536 only) make this model highly versatile and chemically compatible with many liquid process solutions.
- Sensors can be installed in DN15 to DN900 (½ to 36 in.) using Signet's comprehensive line of custom fittings, except the PVC 2536 version which can be installed in DN15 to DN100 (½ to 4 in.) pipes using Signet's comprehensive line of custom fittings as well.
- These custom fittings, which include tees, saddles, and weldolets, seat the sensor to the proper insertion depth into the process flow.
- The sensors are also offered in configurations for wet-tap installation requirements except 2536 PVC version.

515/8510 Advantages:

- Flow rate range 0.3 to 6 m/s (1 to 20 ft/s)
- Installs into pipe sizes DN15 to DN900 (½ to 36 in.)
- Wide Turndown Ratio of 20:1
- Self-powered
- Highly repeatable output
- Chemically resistant materials
- Easy to replace rotor

2536/8512 Advantages:

- Flow rate range 0.1 to 6 m/s (0.3 to 20 ft/s)
- Installs into pipe sizes DN15 to DN900 (½ to 36 in.)
- The 2536 PVC version installs into pipe sizes DN15 to DN100 (½ to 4 in.) for concentrated Sodium Hypochlorite 12.5% applications
- Wide Turndown Ratio of 66:1
- Open-collector output
- High resolution and noise immunity
- Chemically resistant materials
- Easy to replace rotor
- Sodium Hypochlorite transfer/injection/batching (3-2536-U0)

Warranty Information

Refer to your local Georg Fischer Sales office for the most current warranty statement.

All warranty and non-warranty repairs being returned must include a fully completed Service Form and goods must be returned to your local GF Sales office or distributor. Product returned without a Service Form may not be warranty replaced or repaired.

Signet products with limited shelf-life (e.g. pH, ORP, chlorine electrodes, calibration solutions; e.g. pH buffers, turbidity standards or other solutions) are warranted out of box but not warranted against any damage, due to process or application failures (e.g. high temperature, chemical poisoning, dry-out) or mishandling (e.g. broken glass, damaged membrane, freezing and/or extreme temperatures).

Product Registration







Thank you for purchasing the Signet line of Georg Fischer measurement products.

If you would like to register your product(s), you can now register online in one of the following ways:

- Visit our website www.gfsignet.com. Under **Service and Support** click on **Product Registration Form**
- If this is a pdf manual (digital copy), [click here](#)

Safety Information

1. Depressurize and vent system prior to installation or removal.
2. Confirm chemical compatibility before use.
3. DO NOT exceed maximum temperature or pressure specs.
4. ALWAYS wear safety goggles or faceshield during installation and/or service.
5. DO NOT alter product construction.
Below are Safety Instructions from the pipe fittings instruction sheet:
6. Do not use this product for any purpose other than for which it was designed.
7. Use with liquids only.

	Warning / Caution / Danger Indicates a potential hazard. Failure to follow all warnings may lead to equipment damage, injury, or death
	Personal Protective Equipment (PPE) Always utilize the most appropriate PPE during installation and service of Signet products.
	Pressurized System Warning Sensor may be under pressure, take caution to vent system prior to installation or removal. Failure to do so may result in equipment damage and/or serious injury.
	Hand Tighten Only Overtightening may permanently damage product threads and lead to failure of the retaining nut.
	Do Not Use Tools Use of tool(s) may damage product beyond repair and potentially void product warranty.
	Note / Technical Notes Highlights additional information or detailed procedure.

Chemical Compatibility

Georg Fischer Signet products are manufactured in a variety of wetted materials to suit various liquids and chemicals.

All plastic materials including typical piping types (PVC, PVDF, PP and PE) are more or less permeable to contained media, such as water or volatile substances, including some acids. This effect is not related to porosity, but purely a matter of gas diffusion through the plastic.

If the plastic material is compatible with the medium according to the application guidelines, the permeation will not damage the plastic itself. However, if the plastic encloses other sensitive components, as is the case with GF Signet plastic paddlewheel sensors, these may be affected or damaged by the media diffusing through the plastic body and rotor.

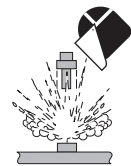
Failures of PVDF paddlewheel sensors when used in hot nitric acid applications have been reported. PVDF is known to allow for substantial permeation of nitric acid constituents without being damaged itself. No clear guideline can be given here, since the damaging effect to the sensor is highly dependent on temperature, pressure and concentration.

Utilizing sensors in applications with aggressive substances is possible. On special request GF Signet can provide sensors with a different internal resin encapsulation (potting) that will delay the damaging effect of acids to the sensors.

For all Special Product inquiries or to place an order, please email signet-specialproduct@georgfischer.com.



WARNING!



Paddlewheel Retaining Nuts:

Red (515), Blue (2536), and Gray (2536)

The retaining nuts of paddlewheel sensors are not designed for prolonged contact with aggressive substances. Strong acids, caustic substances and solvents or their vapor may lead to failure of the retaining nut, ejection of the sensor and loss of the process fluid with possibly serious consequences, such as damage to equipment and serious personal injury. Retaining nuts that may have been in contact with such substances, e.g. due to leakage or spilling, must be replaced.

Paddlewheel Maintenance:

Paddlewheel flow sensors are subject to wear and may require maintenance and replacement of mechanical parts (rotors, pin, O-rings, bearings, retainers, etc.). The frequency of recommended maintenance will vary based upon application specifications, characteristics of the measured fluid, and installation details. These can include, but are not limited to: process flowrate, occurrence of water hammer, fluid corrosiveness and abrasiveness, sensor installation relevant to other equipment.

GF Signet offers individual replacement parts and rotor replacement kits, which include replacement instructions, allowing customers to perform field maintenance and reduce application down-time. Please refer to the Paddlewheel Replacement section (page 5) or contact your local GF Sales Representative with any questions.

515, 2536, 8510, 8512, 2537 Only:

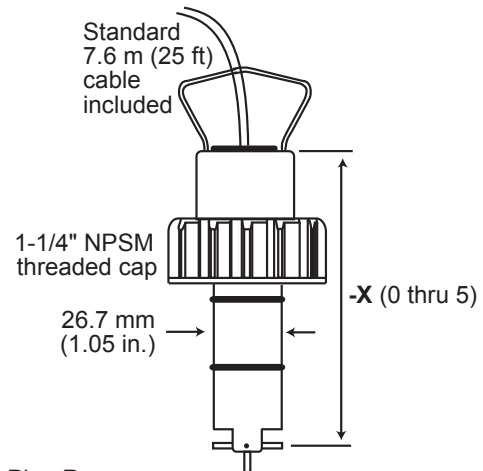
To support our customers, the GF Signet Repair Department offers services to recertify the plastic paddlewheel products to factory specification. Contact your distributor or visit www.gfsignet.com for more information.

Table of Contents

Description.....	1
Warranty Statement.....	2
Product Registration.....	2
Safety Information.....	2
Chemical Compatibility.....	2
Dimensions.....	3
Specifications.....	4
Location of Fitting.....	5
Sensor Mounting Position.....	5
Standard Sensor Installation.....	5
Rotor Replacement Procedure.....	5
Sensor Wiring.....	6
H-Dimensions.....	6
K-Factors.....	7
Signet Fittings.....	11
Ordering Information (515/8510).....	11
Ordering Information (2536/8512).....	12

Dimensions

515/2536 Sensor

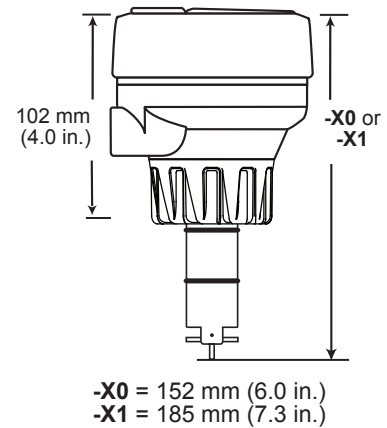


Pipe Range:

1/2 in. to 4 in.	-X0 = 104 mm (4.1 in.)	} Wet-tap Lengths
5 in. to 8 in.	-X1 = 137 mm (5.4 in.)	
10 in. and up	-X2 = 213 mm (8.4 in.)	
1/2 in. to 4 in.	-X3 = 297 mm (11.7 in.)	
5 in. to 8 in.	-X4 = 332 mm (13.1 in.)	
10 in. and up	-X5 = 408 mm (16.1 in.)	

8510-XX/8512-XX Integral Sensor

shown with Transmitter and Integral Adapter Kit (sold separately)



Specifications

General

Flow Rate Range:

515	0.3 to 6 m/s (1 to 20 ft/s)
2536	0.1 to 6 m/s (0.3 to 20 ft/s)
Pipe Size Range	DN15 to DN900 (½ in. to 36 in.)
PVC	DN15 to DN100 (½ in. to 4 in.)

Cable Length

515	7.6 m (25 ft) standard
515	60 m (200 ft) maximum
2536	305 m (1000 ft) maximum

Cable Type

2-conductor twisted pair w/ shield (22 AWG)

Materials:

Cap Material	Glass Filled Polypropylene
515:	Red
2536:	Blue
2536 (PVC):	Gray

Wetted Materials:

Sensor Body	Glass Filled Polypropylene (black) PVDF, or (gray) PVC
O-Rings	FKM (Std), EPR (EPDM) or FFKM optional
Pin	Titanium, Hastelloy-C or PVDF; optional Ceramic, Tantalum, or Stainless Steel
Rotor	Black PVDF or Natural PVDF; optional ETFE with or without carbon fiber reinforced PTFE sleeve for rotor pin

Shipping Weight:

-X0	0.454 kg (1 lb)
-X1	0.476 kg (1.04 lbs)
-X2	0.680 kg (1.50 lbs)
-X3	0.794 kg (1.75 lbs)
-X4	0.850 kg (1.87 lbs)
-X5	1.0 kg (2.20 lbs)
3519	1.3 kg (2.86 lbs)

Performance

Linearity	±1% of maximum range @ 25 °C (77 °F)
Repeatability	±0.5% maximum range @ 25 °C (77 °F)

Electrical

515 Sensor

Frequency	19.7 Hz per m/s nominal (6 Hz per ft/s)
Amplitude	3.3 V p/p per m/s nominal (1V p/p per ft/s)
Source Impedance	8 kΩ

2536 Sensor

Frequency	49 Hz per m/s nominal (15 Hz per ft/s nominal)
Supply Voltage	5 to 24 VDC ±10% regulated
Supply Current	<1.5 mA @ 3.3 to 6 VDC <20 mA @ 6 to 24 VDC
Output Type	Open collector, sinking
Output Current	10 mA maximum

Specifications Continued

Environmental Requirements

Pressure/Temperature Ratings

Standard and Integral Sensors:

Polypropylene Body:

- **515:** 1.7 bar (25 psi) max @ 90 °C (194 °F)
12.5 bar (180 psi) max @ 20 °C (68 °F)
- **2536:** 1.7 bar (25 psi) max @ 85 °C (185 °F)
12.5 bar (180 psi) max @ 20 °C (68 °F)

Operating Temperature..... -18 °C to 66 °C (0 °F to 150 °F)

PVDF Body :

- **515:** 1.7 bar (25 psi) max @ 100°C (212 °F)
14 bar (200 psi) max @ 20 °C (68 °F)
- **2536:** 1.7 bar (25 psi) max @ 85 °C (185 °F)
14 bar (200 psi) max @ 20 °C (68 °F)

Operating Temperature..... -18 °C to 100 °C (0 °F to 212 °F)

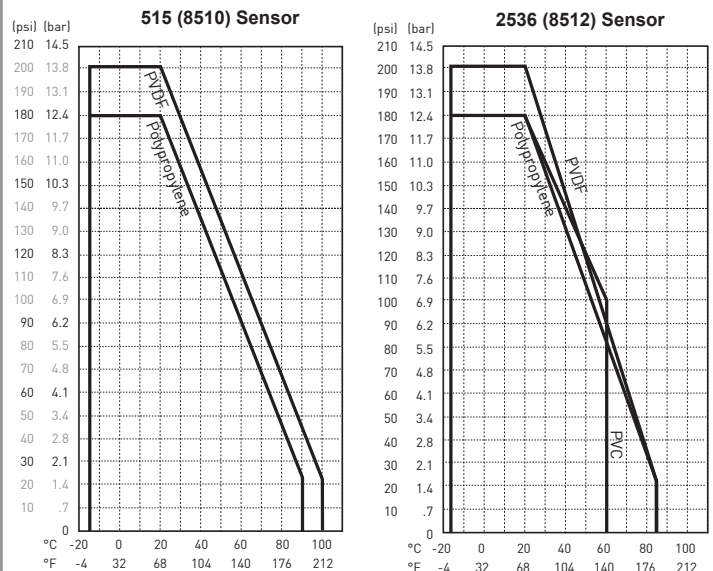
PVC Body:

- **2536:** 6.9 bar (100 psi) max @ 60 °C (140 °F)
14 bar (200 psi) max @ 20 °C (68 °F)

Operating Temperature..... 0 °C to 50 °C (32 °F to 122°F)

Polypropylene Wet-Tap Sensor Body:

- 7 bar (100 psi) @ 20 °C (68 °F) max
 - Max Removal Rating..... 1.7 bar @ 22 °C (25 psi @ 72 °F)
- Operating Temperature..... -18 °C to 66 °C (0 °F to 150 °F)



Standards and Approvals

- RoHS Compliant
- China RoHS (Go to www.gfsignet.com for details)
- Manufactured under ISO 9001 for Quality, ISO 14001 for Environmental Management and OHSAS 18001 for Occupational Health and Safety.

P51530

- NSF (P51530-PX versions only)
- Lloyd's Register Type Approval

2536

- NSF (3-2536-PX versions only)
- CE

FC Declaration of Conformity according to FCC Part 15

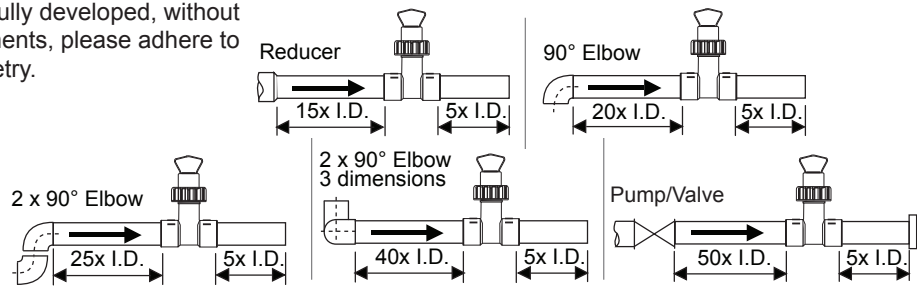
This device complies with Part 15 of the FCC rules.

Operation is subject to the following two conditions:

- (1) This device may not cause harmful interference, and
- (2) This device must accept any interference received, including interference that may cause undesired operation.

Location of Fitting

To ensure the fluid velocity profile is fully developed, without distortion from piping system components, please adhere to the recommended straight run geometry.



Sensor Mounting Position

Horizontal pipe Runs

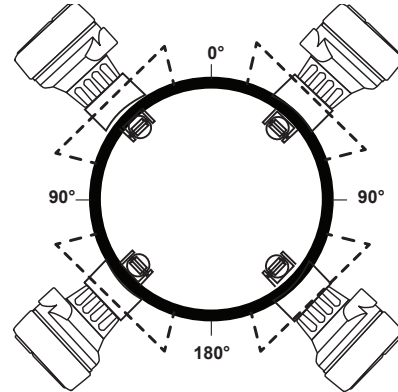
To minimize adverse effects of air pockets, sediment, or excessive rotor wear (Paddlewheels), avoid mounting the flow sensor at the top of the pipe (0°), bottom of pipe (180°), or the sides (90° from vertical.)

Vertical Pipe Runs

Mount flow sensors in any direction. To ensure pipe is flowing full, with some back pressure, it's highly recommended the fluid flow is upward.

Gravity and Discharge Lines

It's recommended to install a trap to ensure pipe is full during flow conditions, and to minimize air pockets.



Standard Sensor Installation

- Lubricate O-rings with a non-petroleum based, viscous lubricant (grease) compatible with the system.
- Using an alternating/twisting motion, lower the sensor into the fitting, making sure the installation arrows on the black cap are pointing in the direction of flow, see Figure A.
- Engage one thread of the sensor cap then turn the sensor until the alignment tab is seated in the fitting notch.



Hand tighten the sensor cap.
DO NOT use any tools on the sensor cap or the cap threads and/or fitting flange threads will be damaged, see Figure B.

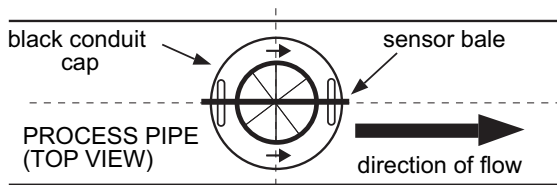


Figure A

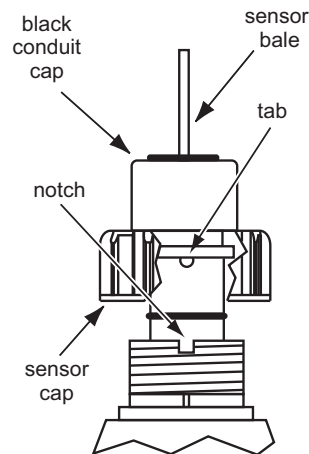
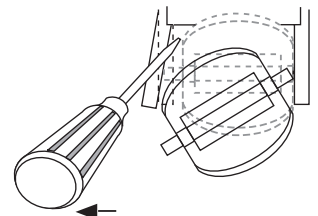


Figure B

Rotor Replacement Procedure

- To remove the rotor, insert a small screwdriver between the rotor and the ear of the sensor.
- Twist the screwdriver blade to flex the ear outward enough to remove one end of the rotor and pin.
- DO NOT flex the ear any more than necessary! If it breaks, the sensor cannot be repaired.
- Install the new rotor by inserting one tip of the pin into the hole, then flex the opposite ear back enough to slip rotor into place.

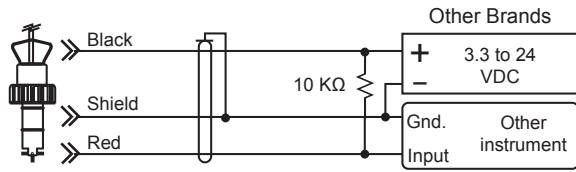


Sensor Wiring

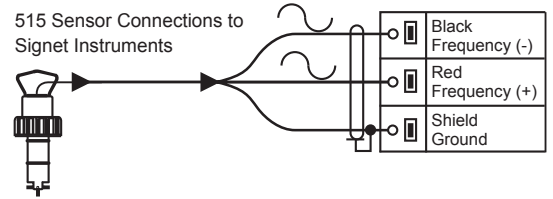


Technical Notes

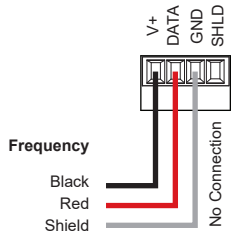
- Use 2-conductor shielded cable for cable extensions.
- Cable shield must be maintained through cable splice.
- Refer to your instrument manual for specific wiring details.



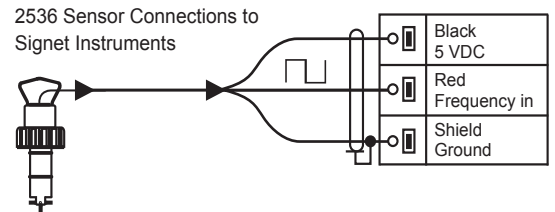
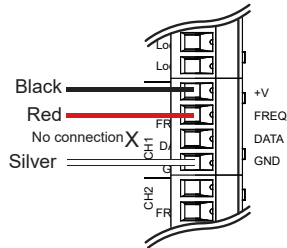
DC sensor power supplied from Signet instrument.
10 KΩ Pull-up resistor may be required for non-Signet brand instrument.



9900 Frequency

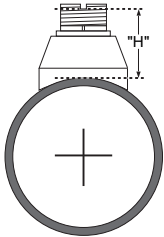


9950 Frequency



H-Dimensions

The plastic sensor insert in the Weldolet fitting MUST be removed during the welding process. When reinstalled, it is important that the insert be threaded to the proper height ("H" dimension).



Weldolet part number	"H" dimension	
	mm	inches
CS4W020	60.45	2.38
CS4W025	62.99	2.48
CS4W030	62.73	2.47
CS4W040	62.23	2.45
CS4W050	82.29	3.24
CS4W060	78.99	3.11
CS4W080	73.15	2.88
CS4W100	143.00	5.63
CS4W120	137.16	5.25
CS4W140	129.54	5.40
CS4W160	123.19	4.85
CS4W180	116.84	4.60
CS4W200	111.25	4.38

Weldolet part number	"H" dimension	
	mm	inches
CS4W240	105.66	4.16
CS4W360	104.14	4.10
CR4W020	60.45	2.38
CR4W025	62.99	2.48
CR4W030	62.73	2.47
CR4W040	62.23	2.45
CR4W050	82.29	3.24
CR4W060	78.99	3.11
CS4W080	73.15	2.88
CR4W100	143.00	5.63
CR4W120	137.16	5.40

A **K-Factor** is the number of pulses a sensor will generate for each engineering unit of fluid that passes the sensor. K-Factors for water are listed below in U.S. gallons and liters. For example, in a 1-inch PVC pipe, the 515 paddlewheel generates 172.07 pulses per gallon of water passing the rotor. K-Factors are listed for pipes up to 12 inches. For pipes over 12 inches, consult your Signet distributor.

515 / 8510-XX

Pipe Size (in.)	Fitting	Liters	U.S. Gallons
SCH 80 PVC Tees for SCH 80 PVC Pipe			
1/2	MPV8T005	137.42	520.12
3/4	MPV8T007	78.61	297.52
1	MPV8T010	45.46	172.07
1-1/4	MPV8T012	24.19	91.54
1-1/2	MPV8T015	16.44	62.22
2	MPV8T020	9.60	36.32
SCH 80 PVC Tees for SCH 80 PVC Pipe			
2-1/2	PV8T025	5.7683	21.833
3	PV8T030	3.5775	13.541
4	PV8T040	2.0147	7.6258
SCH 80 CPVC Tees for SCH 80 CPVC Pipe			
1/2	MCPV8T005	137.42	520.12
3/4	MCPV8T007	78.61	297.52
1	MCPV8T010	45.46	172.07
1-1/4	MCPV8T012	24.19	91.54
1-1/2	MCPV8T015	16.44	62.22
2	MCPV8T020	9.60	36.32
SCH 80 PVC Saddles for SCH 80 PVC Pipe			
2	PV8S020	8.5812	32.480
2-1/2	PV8S025	5.7683	21.833
3	PV8S030	3.5775	13.541
4	PV8S040	2.0147	7.6258
6	PV8S060	1.0997	4.1623
8	PV8S080	0.6263	2.3705
10	PV8S100	0.4042	1.5300
12	PV8S120	0.2801	1.0600
SCH 80 PVC Saddle for SCH 40 PVC Pipe			
2	PV8S020	7.2259	27.350
2-1/2	PV8S025	4.9866	18.874
3	PV8S030	3.3389	12.638
4	PV8S040	1.7776	6.7282
6	PV8S060	0.9854	3.7297
8	PV8S080	0.5688	2.1527
10	PV8S100	0.3567	1.3500
12	PV8S120	0.2536	0.9600

515 / 8510-XX

Pipe Size (in.)	Fitting	Liters	U.S. Gallons
Carbon Steel Tees for SCH 40 Pipe			
1/2	CS4T005	97.808	370.20
3/4	CS4T007	56.027	212.06
1	CS4T010	37.289	141.14
1-1/4	CS4T012	16.025	60.655
1-1/2	CS4T015	11.982	45.350
2	CS4T020	7.0717	26.767
Stainless Steel Tees for SCH 40 Pipe			
1/2	CR4T005	94.838	358.96
3/4	CR4T007	53.530	202.61
1	CR4T010	33.590	127.14
1-1/4	CR4T012	16.357	61.910
1-1/2	CR4T015	10.676	40.410
2	CR4T020	5.8917	22.300
Galvanized Iron Tees for SCH 40 Pipe			
1	IR4T010	27.619	104.54
1-1/4	IR4T012	16.639	62.979
1 1/2	IR4T015	12.335	46.688
2	IR4T020	7.7832	29.459
Bronze Tees for SCH 40 Pipe			
1	BR4T010	27.619	104.54
1-1/4	BR4T012	16.639	62.979
1-1/2	BR4T015	12.335	46.688
2	BR4T020	7.7832	29.459
Copper Tee Fittings for Copper Pipe SCH K			
1/2	CUKT005	117.10	443.21
3/4	CUKT007	56.052	212.16
1	CUKT010	33.600	127.18
1-1/4	CUKT012	23.307	88.218
1-1/2	CUKT015	15.049	56.962
2	CUKT020	7.7595	29.370
Copper Tee Fittings for Copper Pipe SCH L			
1/2	CUKT005	109.49	414.41
3/4	CUKT007	50.485	191.09
1	CUKT010	31.662	119.84
1-1/4	CUKT012	22.576	85.451
1-1/2	CUKT015	14.573	55.160
2	CUKT020	7.5575	28.605

515 / 8510-XX

Pipe Size (in.)	Fitting	Liters	U.S. Gallons
Stainless Steel Weldolets for SCH 40 Pipe			
2-1/2	CR4W025	4.9670	18.800
3	CR4W030	3.2153	12.170
4	CR4W040	1.8388	6.9600
5	CR4W050	1.3897	5.2600
6	CR4W060	0.9749	3.6900
8	CR4W080	0.5627	2.1300
10	CR4W100	0.3567	1.3500
12	CR4W120	0.2536	0.9600
Carbon Steel Weldolets for SCH 40 Pipe			
2-1/2	CS4W025	4.9670	18.800
3	CS4W030	3.2153	12.170
4	CS4W040	1.8388	6.9600
5	CS4W050	1.3897	5.2600
6	CS4W060	0.9749	3.6900
8	CS4W080	0.5627	2.1300
10	CS4W100	0.3567	1.3500
12	CS4W120	0.2536	0.9600
Copper/Bronze Brazolets for SCH 40 Pipe			
2-1/2	BR4B025	4.9670	18.800
3	BR4B030	3.2153	12.170
4	BR4B040	1.8388	6.9600
5	BR4B050	1.3897	5.2600
6	BR4B060	0.9749	3.6900
8	BR4B080	0.5627	2.1300
10	BR4B100	0.3567	1.3500
12	BR4B120	0.2536	0.9600

515 / 8510-XX

Pipe Size (in.)	Fitting	Liters	U.S. Gallons
SCH 80 Iron Saddles for SCH 80 Pipe			
2	IR8S020	8.5495	32.360
2-1/2	IR8S025	5.8705	22.220
3	IR8S030	3.5456	13.420
4	IR8S040	2.0238	7.6600
5	IR8S050	1.5482	5.8600
6	IR8S060	1.0806	4.0900
8	IR8S080	0.6156	2.3300
10	IR8S100	0.4042	1.5300
12	IR8S120	0.2801	1.0600
SCH 80 Iron Saddle for SCH 40 Pipe			
2	IR8S020	7.0859	26.820
2-1/2	IR8S025	4.9670	18.800
3	IR8S030	3.1678	11.990
4	IR8S040	1.8098	6.8500
5	IR8S050	1.4082	5.3300
6	IR8S060	0.9934	3.7600
8	IR8S080	0.5627	2.1300
10	IR8S100	0.3567	1.3500
12	IR8S120	0.2536	0.9600

K-Factors DIN Pipes

515 / 8510-XX

Pipe Size	Fitting	Liters	U.S. Gallons
Polypropylene Fittings (DIN/ISO and BS and ANSI)			
DN 15	PPMT005	127.23	481.55
DN 20	PPMT007	73.207	277.09
DN 25	PPMT010	37.300	141.18
DN 32	PPMT012	22.071	83.540
DN 40	PPMT015	13.544	51.265
DN 50	PPMT020	7.8193	29.596
PVDF Fittings (DIN/ISO and BS and ANSI)			
DN 15	SFMT005	111.19	420.87
DN 20	SFMT007	60.277	228.15
DN 25	SFMT010	36.116	136.70
DN 32	SFMT012	20.950	79.294
DN 40	SFMT015	11.490	43.490
DN 50	SFMT020	6.8450	25.908
PVC Fittings (DIN/ISO) - Europe only			
DN 15	PVMT005	128.45	486.18
DN 20	PVMT007	64.160	242.85
DN 25	PVMT010	39.270	148.64
DN 32	PVMT012	22.490	85.125
DN 40	PVMT015	13.700	51.855
DN 50	PVMT020	7.8600	29.750

2536 / 8512-XX

Pipe Size (in.)	Fitting	Liters	U.S.Gallons
SCH 80 PVC Tees for SCH 80 PVC Pipe			
1/2	MPV8T005	271.37	1027.1
3/4	MPV8T007	154.08	583.19
1	MPV8T010	88.65	335.53
1-1/4	MPV8T012	47.24	178.79
1-1/2	MPV8T015	32.08	121.42
2	MPV8T020	18.87	71.44

SCH 80 PVC Tees for SCH 80 PVC Pipe

2-1/2	PV8T025	11.359	42.994
3	PV8T030	7.0414	26.652
4	PV8T040	3.9645	15.006

SCH 80 CPVC Tees for SCH 80 CPVC Pipe

1/2	MCPV8T005	271.37	1027.1
3/4	MCPV8T007	154.08	583.19
1	MCPV8T010	88.65	335.53
1-1/4	MCPV8T012	47.24	178.79
1-1/2	MCPV8T015	32.08	121.42
2	MCPV8T020	18.87	71.44

SCH 80 PVC Saddles for SCH 80 PVC Pipe

2	PV8S020	17.633	66.739
2-1/2	PV8S025	11.359	42.994
3	PV8S030	7.0414	26.652
4	PV8S040	3.9645	15.006
6	PV8S060	2.1994	8.3246
8	PV8S080	1.3253	5.0164
10	PV8S100	0.808	3.0600
12	PV8S120	0.571	2.1600

SCH 80 PVC Saddle for SCH 40 PVC Pipe

2	PV8S020	14.452	54.700
2-1/2	PV8S025	9.8175	37.159
3	PV8S030	6.2608	23.697
4	PV8S040	3.5552	13.456
6	PV8S060	1.9708	7.4594
8	PV8S080	1.1966	4.5292
10	PV8S100	0.740	2.8000
12	PV8S120	0.523	1.9800

2536 / 8512-XX

Pipe Size (in.)	Fitting	Liters	U.S.Gallons
Carbon Steel Tees for SCH 40 Pipe			
1/2	CS4T005	199.74	756.00
3/4	CS4T007	115.90	438.69
1	CS4T010	75.768	286.78
1-1/4	CS4T012	32.026	121.22
1-1/2	CS4T015	24.079	91.139
2	CS4T020	14.391	54.468

Stainless Steel Tees for SCH 40 Pipe

1/2	CR4T005	193.98	734.20
3/4	CR4T007	108.88	412.10
1	CR4T010	66.764	252.70
1-1/4	CR4T012	33.849	128.12
1-1/2	CR4T015	20.428	77.320
2	CR4T020	12.095	45.780

Galvanized Iron Tees for SCH 40 Pipe

1	IR4T010	56.277	213.01
1-1/4	IR4T012	33.751	127.75
1 1/2	IR4T015	24.941	94.401
2	IR4T020	15.699	59.420

Bronze Tees for SCH 40 Pipe

1	BR4T010	56.277	213.01
1-1/4	BR4T012	33.751	127.75
1-1/2	BR4T015	24.941	94.401
2	BR4T020	15.699	59.420

Copper Tee Fittings for Copper Pipe SCH K

1/2	CUKT005	242.50	917.84
3/4	CUKT007	113.15	428.27
1	CUKT010	67.749	256.43
1-1/4	CUKT012	46.615	176.44
1-1/2	CUKT015	30.565	115.69
2	CUKT020	16.746	63.385

Copper Tee Fittings for Copper Pipe SCH L

1/2	CUKT005	226.74	858.22
3/4	CUKT007	101.91	385.74
1	CUKT010	63.841	241.64
1-1/4	CUKT012	45.152	170.90
1-1/2	CUKT015	29.598	112.03
2	CUKT020	16.310	61.74

2536 / 8512-XX

Pipe Size (in.)	Fitting	Liters	U.S.Gallons
Stainless Steel Weldolets for SCH 40 Pipe			
2-1/2	CR4W025	9.9339	37.600
3	CR4W030	6.4306	24.340
4	CR4W040	3.6777	13.920
5	CR4W050	2.8692	10.860
6	CR4W060	1.9868	7.5200
8	CR4W080	1.1466	4.3400
10	CR4W100	0.7292	2.7600
12	CR4W120	0.5125	1.9400
Carbon Steel Weldolets for SCH 40 Pipe			
2-1/2	CS4W025	9.9339	37.600
3	CS4W030	6.4306	24.340
4	CS4W040	3.6777	13.920
5	CS4W050	2.8692	10.860
6	CS4W060	1.9868	7.5200
8	CS4W080	1.1466	4.3400
10	CS4W100	0.7292	2.7600
12	CS4W120	0.5125	1.9400
Copper/Bronze Brazolets for SCH 40 Pipe			
2-1/2	BR4B025	9.934	37.600
3	BR4B030	6.431	24.340
4	BR4B040	3.678	13.920
5	BR4B050	2.869	10.860
6	BR4B060	1.987	7.5200
8	BR4B080	1.147	4.3400
10	BR4B100	0.729	2.7600
12	BR4B120	0.513	1.9400

2536 / 8512-XX

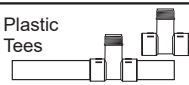




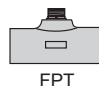
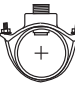
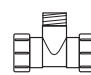
Pipe Size (in.)	Fitting	Liters	U.S.Gallons
SCH 80 Iron Saddles for SCH 80 Pipe			
2	IR8S020	17.099	64.720
2-1/2	IR8S025	11.223	42.480
3	IR8S030	6.980	26.420
4	IR8S040	3.884	14.700
5	IR8S050	3.218	12.180
6	IR8S060	2.230	8.4400
8	IR8S080	1.295	4.9000
10	IR8S100	0.808	3.0600
12	IR8S120	0.571	2.1600
SCH 80 Iron Saddle for SCH 40 Pipe			
2	IR8S020	14.172	53.640
2-1/2	IR8S025	9.934	37.600
3	IR8S030	6.135	23.220
4	IR8S040	3.503	13.260
5	IR8S050	2.917	11.040
6	IR8S060	1.913	7.2400
8	IR8S080	1.162	4.4000
10	IR8S100	0.740	2.8000
12	IR8S120	0.523	1.9800

K-Factors DIN Pipes

2536 / 8512-XX

Pipe Size	Fitting	Liters	U.S. Gallons
Polypropylene Fittings (DIN/ISO and BS and ANSI)			
DN 15	PPMT005	251.75	952.87
DN 20	PPMT007	148.77	563.10
DN 25	PPMT010	77.042	291.60
DN 32	PPMT012	44.709	169.22
DN 40	PPMT015	27.450	103.90
DN 50	PPMT020	16.060	60.789
PVDF Fittings (DIN/ISO and BS and ANSI)			
DN 15	SFMT005	218.56	827.26
DN 20	SFMT007	129.42	489.87
DN 25	SFMT010	74.915	283.55
DN 32	SFMT012	41.899	158.59
DN 40	SFMT015	22.980	86.980
DN 50	SFMT020	13.312	50.385
PVC Fittings (DIN/ISO) - Europe only			
DN 15	PVMT005	256.90	972.37
DN 20	PVMT007	128.32	485.69
DN 25	PVMT010	78.540	297.274
DN 32	PVMT012	44.980	170.249
DN 40	PVMT015	27.400	103.709
DN 50	PVMT020	15.720	59.500

Signet Fittings

Type	Description	Type	Description
 <p>Plastic Tees</p>	<ul style="list-style-type: none"> • 0.5 to 2 inch versions • MPVC or CPVC 	 <p>Iron, Carbon Steel, 316 SS Threaded Tees</p>	<ul style="list-style-type: none"> • 0.5 to 2 inch versions • Mounts on threaded pipe ends
 <p>PVC Glue-on Saddles</p>	<ul style="list-style-type: none"> • Available in 10 and 12 inch sizes only • Cut 2-1/2 inch hole in pipe • Weld in place using solvent cement 	 <p>Carbon Steel & Stainless Steel Weld-on Weldolets</p>	<ul style="list-style-type: none"> • 2 to 4 inch, cut 1-7/16 inch hole • Over 4 inch, cut 2-1/8 inch hole in pipe
 <p>PVC Clamp-on Saddles</p>	<ul style="list-style-type: none"> • 2 to 4 inch, cut 1-7/16 inch hole in pipe • 6 to 8 inch, cut 2-1/8 inch hole in pipe 	 <p>Fiberglass Tees FPT</p>	<ul style="list-style-type: none"> • 1.5 inch to 2 inch PVDF insert
 <p>Iron Strap-on Saddles</p>	<ul style="list-style-type: none"> • 2 to 4 inch, cut 1-7/16 inch hole in pipe • Over 4 inch, cut 2-1/8 inch hole in pipe • Special order 14 inch to 36 inch 	 <p>Metric Union Fitting</p>	<ul style="list-style-type: none"> • For pipes from DN 15 to 50 mm • PP or PVDF

Ordering Information

515/8510-XX

Mfr. Part No.	Code	Description
P51530-H0	198 801 659	Sensor, Polypropylene, Hastelloy-C, Black PVDF, 0.5 to 4 inch
P51530-P0	198 801 620	Sensor, Polypropylene, Titanium Rotor Pin, PVDF Rotor (black), 0.5 to 4 inch
P51530-P1	198 801 621	Sensor, Polypropylene, Titanium Rotor Pin, PVDF Rotor (black), 5 to 8 inch
P51530-P2	198 801 622	Sensor, Polypropylene, Titanium Rotor Pin, PVDF Rotor (black), 10 to 36 inch
P51530-P3	198 840 310	Sensor, Wet-Tap, Polypropylene, Titanium Rotor Pin, PVDF Rotor (black), 0.5 to 4 inch
P51530-P4	198 840 311	Sensor, Wet-Tap, Polypropylene, Titanium Rotor Pin, PVDF Rotor (black), 5 to 8 inch
P51530-P5	198 840 312	Sensor, Wet-Tap, Polypropylene, Titanium Rotor Pin, PVDF Rotor (black), 10 to 36 inch
P51530-S0	198 801 661	Sensor, Polypropylene, PVDF (natural), Black PVDF; 0.5 to 4 inch
P51530-T0	198 801 663	Sensor, PVDF (natural), PVDF (natural) Rotor Pin, PVDF Rotor (natural), 0.5 to 4 inch
P51530-T1	198 801 664	Sensor, PVDF (natural), PVDF (natural) Rotor Pin, PVDF Rotor (natural), 5 to 8 inch
P51530-V0	198 801 623	Sensor, PVDF (natural), Hastelloy-C Rotor Pin, PVDF Rotor (natural), 0.5 to 4 inch
P51530-V1	198 801 624	Sensor, PVDF (natural), Hastelloy-C Rotor Pin, PVDF Rotor (natural), 5 to 8 inch
P51530-V2	198 801 625	Sensor, PVDF (natural), Hastelloy-C Rotor Pin, PVDF Rotor (natural), 10 to 36 inch
3-8510-P0	198 864 504	Sensor, Integral, PP, Titanium Rotor Pin, PVDF Rotor (black), 0.5 to 4 inch
3-8510-P1	198 864 505	Sensor, Integral, PP, Titanium Rotor Pin, PVDF Rotor (black), 5 to 8 inch
3-8510-T0	159 000 622	Sensor, Integral, PVDF (natural), PVDF (natural) Rotor Pin, PVDF Rotor (natural), 0.5 to 4 inch
3-8510-V0	198 864 506	Sensor, Integral, PVDF (natural), Hastelloy-C Rotor Pin, PVDF Rotor (natural), 0.5 to 4 inch
3-3519/515-P3	159 000 819	Sensor & Wet-Tap Assy., PP, Titanium Rotor Pin, PVDF Rotor (black), 0.5 to 4 inch
3-3519/515-P4	159 000 820	Sensor & Wet-Tap Assy., PP, Titanium Rotor Pin, PVDF Rotor (black), 5 to 8 inch
3-3519/515-P5	159 000 821	Sensor & Wet-Tap Assy., PP, Titanium Rotor Pin, PVDF Rotor (black), 10 to 36 inch

Replacement Parts 515/8510

M1538-2	198 801 181	Rotor, PVDF Black
P51547-3	159 000 474	Rotor, PVDF Natural
M1538-4	198 820 018	Rotor, ETFE
P51550-3	198 820 043	Rotor and Pin, PVDF Natural
3-0515.322-1	198 820 059	Sleeved Rotor, PVDF Black
3-0515.322-2	198 820 060	Sleeved Rotor, PVDF Natural
3-0515.322-3	198 820 017	Sleeved Rotor, ETFE
P31542	198 801 630	Sensor Cap, Red (for use with 515)

Ordering Information

2536/8512-XX

Mfr. Part No.	Code	Description
3-2536-P0	198 840 143	Sensor, Polypropylene, Titanium Rotor Pin, PVDF Rotor (black), ½ to 4 inch
3-2536-P1	198 840 144	Sensor, Polypropylene, Titanium Rotor Pin, PVDF Rotor (black), 5 to 8 inch
3-2536-P2	198 840 145	Sensor, Polypropylene, Titanium Rotor Pin, PVDF Rotor (black), 10 to 36 inch
3-2536-P3	159 000 758	Sensor, Wet-Tap, Polypropylene, Titanium Rotor Pin, PVDF Rotor (black), ½ to 4 inch
3-2536-P4	159 000 759	Sensor, Wet-Tap, Polypropylene, Titanium Rotor Pin, PVDF Rotor (black), 5 to 8 inch
3-2536-P5	159 000 760	Sensor, Wet-Tap, Polypropylene, Titanium Rotor Pin, PVDF Rotor (black), 10 to 36 inch
3-2536-V0	198 840 146	Sensor, PVDF (natural), Hastelloy-C Rotor Pin, PVDF Rotor (natural), ½ to 4 inch
3-2536-V1	198 840 147	Sensor, PVDF (natural), Hastelloy-C Rotor Pin, PVDF Rotor (natural), 5 to 8 inch
3-2536-T0	198 840 149	Sensor, PVDF (natural), PVDF (nat.) Rotor Pin, PVDF Rotor (natural), ½ to 4 inch
3-2536-U0	159 001 843	Sensor, PVC, Titanium Rotor Pin, ETFE Rotor, ½ to 4 inch
3-8512-P0	198 864 513	Sensor, Integral, PP, Titanium Rotor Pin, PVDF Rotor (black), ½ to 4 inch
3-8512-P1	198 864 514	Sensor, Integral, PP, Titanium Rotor Pin, PVDF Rotor (black), 5 to 8 inch
3-8512-T0	198 864 518	Sensor, Integral, PVDF (natural), PVDF (natural) Rotor Pin, PVDF Rotor (natural), ½ to 4 inch
3-8512-V0	198 864 516	Sensor, Integral, PVDF (natural), Hastelloy-C Rotor Pin, PVDF Rotor (natural), ½ to 4 inch
3-3519/2536-P3	159 000 822	Sensor & Wet-Tap Assy., PP, Titanium Rotor Pin, PVDF Rotor (black), ½ to 4 inch
3-3519/2536-P4	159 000 823	Sensor & Wet-Tap Assy., PP, Titanium Rotor Pin, PVDF Rotor (black), 5 to 8 inch
3-3519/2536-P5	159 000 824	Sensor & Wet-Tap Assy., PP, Titanium Rotor Pin, PVDF Rotor (black), 10 to 36 inch

Replacement Parts 2536/8512

3-2536.320-1	198 820 052	Rotor, PVDF Black
3-2536.320-2	159 000 272	Rotor, PVDF Natural
3-2536.320-3	159 000 273	Rotor, ETFE
3-2536.321	198 820 054	Rotor and Pin, PVDF Natural
3-2536.322-1	198 820 056	Sleeved Rotor, PVDF Black
3-2536.322-2	198 820 057	Sleeved Rotor, PVDF Natural
3-2536.322-3	198 820 058	Sleeved Rotor, ETFE
P31542-3	159 000 464	Sensor Cap, Blue (for use with 2536)
3-2536.555	159 500 532	Sensor Cap, Gray (for use with 2536)

Accessories 515/8510 & 2536/8512

M1546-1	198 801 182	Rotor Pin, Titanium
M1546-2	198 801 183	Rotor Pin, Hastelloy-C
M1546-3	198 820 014	Rotor Pin, Tantalum
M1546-4	198 820 015	Rotor Pin, Stainless Steel
P51545	198 820 016	Rotor Pin, Ceramic
1220-0021	198 801 000	O-Ring, FKM
1224-0021	198 820 006	O-Ring, EPDM
1228-0021	198 820 007	O-Ring, FFKM
P31536	198 840 201	Sensor Plug, Polypropylene
P31934	159 000 466	Conduit Cap
P51589	159 000 476	Conduit Adapter Kit
5523-0222	159 000 392	Cable (per foot), 2 conductor with shield, 22 AWG
3-8050	159 000 184	Universal mount kit
3-8050-1	159 000 753	Universal junction box
3-8050.390-1	159 001 702	Retaining Nut Replacement Kit, NPT, Valox®
3-8050.390-3	159 310 116	Retaining Nut Replacement Kit, NPT, PP
3-8050.390-4	159 310 117	Retaining Nut Replacement Kit, NPT, PVDF
3-8051	159 000 187	Transmitter integral adapter (for 8510 and 8512)



Georg Fischer Signet LLC, 3401 Aero Jet Avenue, El Monte, CA 91731-2882 U.S.A. • Tel. (626) 571-2770 • Fax (626) 573-2057
For Worldwide Sales and Service, visit our website: www.gfsignet.com • Or call (in the U.S.): (800) 854-4090
For the most up-to-date information, please refer to our website at www.gfsignet.com