

# 压力液位变送器

The pressure transmitter utilizes a high-performance pressure-sensing chip, and with advanced technology in temperature and temperature control, the pressure transmitter provides a powerful current or pressure signal. Compact size and easy to install. Easy to install. It can be used to measure meter pressure, free pressure, and bath pressure by using a non-attractive, corrosion-resistant outer shell to measure the dielectric turns of bodies and liquids that are compatible with the materials in contact with the part.

The Ssilient type (Akabira Tsukimo) pressure transmitter is bas purpose pressure transmitter prototype.

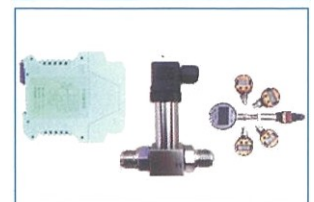
It is formed by installing a sealing diaphragm on the stone, and the sealing diaphragm of the palace has many different types of fins, especially for the pressure measurement of high temperature, high viscosity, crystalline reservoir, and easy to be clogged, and for the pressure measurement of high-temperature, high viscosity, and high viscosity, crystalline reservoir, and easy to be clogged, and for the pressure measurement of high temperature, high viscosity, and high viscosity, and for the pressure measurement of high temperature, high viscosity, crystal reservoir and easy to be clogged, and for the pressure measurement of high temperature, high viscosity, crystal reservoir and easy to be clogged, and for the pressure measurement of high temperature, high viscosity, crystal reservoir and easy to be clogged.

"Pius".

This product is used to measure the pressure of liquid, vapor and steam in the fields of water, oil refining, sewage treatment, building materials, light weight industry, machinery and so on.

Characteristics of the sound products.

With reverse board and current limiting to protect the laser dry resistance temperature compensation can be programmed to control the turbofan navigation vibration robbery, anti-impulse Zeus, body inching Zeus magnetic dry resistance; Tsuji load and anti-dry resistance ability is strong' Meal economy is stable in practical use.



○Hole swabbing method.

Turn on the HSM connector, and then turn off the siren, you can see the misty and the 満程扱 resistor. Connect the external Starling source and meter (0.2扱 or more), then you can adjust it, as follows.

If the transmitter is not pressurized, then the output current is 4mA, and the transmitter is pressurized to the full range, then the output current is 20mA by pressing the full range resistor three times, and then the signal is normal. After the signal is normal, tighten the cover.

(Major technical...)

Measurement of the court

phoenix a 0. - ~ 0 ~ 60Mpa

△ measurement accuracy:

0.2%, 0.5%

Output Signal 4~20mA or 5VDC

Loading capacity: d . 5 times the range.

Temperature drift E. S%F sub-pools

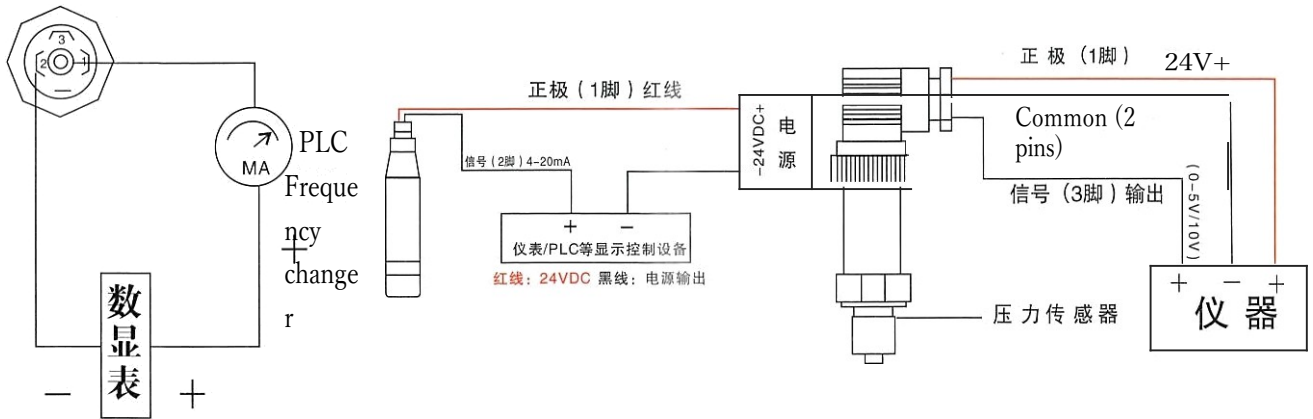
△ 供屯宙源ゴ2~36VDC典型24V

Temperature: 20~75°C.

Temperature:  $3 \mu\text{s} \sim 8 \mu\text{s}$ ,  $30^\circ\text{C} \sim 200^\circ\text{C}$   $-30^\circ\text{C} \sim 380^\circ\text{C}$   $-30^\circ\text{C} \sim 380^\circ\text{C}$

Measurement of air and liquids that do not induce sea bream and do not corrode

.... Zuikaku Kettle.



4-20mA connection for 2 systems system current output connection.

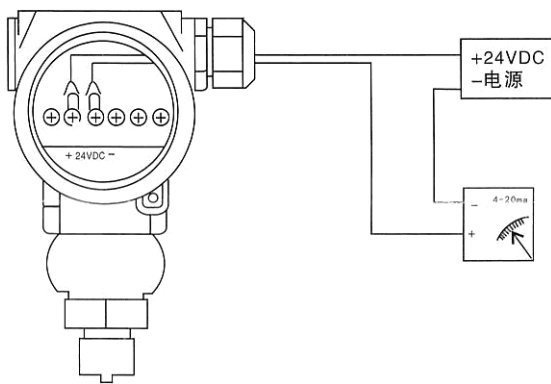
West

Three-precision unloaded output connector

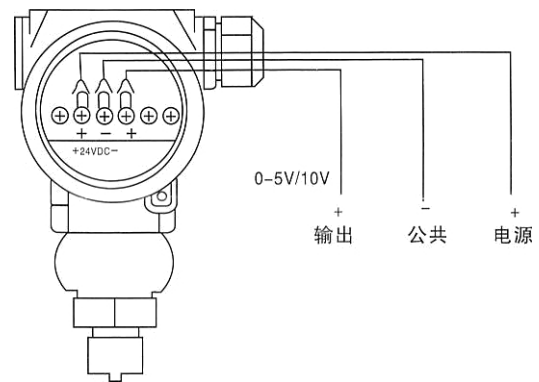
EH

Phoenix 5

Group 2



Group 3



EM

a":The matter.

All of the supplied sound products are equipped with a certificate of conformity and a certificate of use, and the parameters of the products are checked and verified for avoiding the use of the products.

When installing the connector, check whether the existing connector is the same as that of the sound product according to the sound product's connection method and screw type, and connect the connector with slow queuing, so that the torque can not be added to the transformer body, but only to the hexagonal side of the pressure connector.

The connection is made in accordance with our company's guidelines.

This product is a precision instrument and should not be folded or disassembled at will to prevent it from falling down, or from being touched by sharp objects, which may cause the core of the sensor to collapse.

When the transmitter is turned on, it is ready to be used, and the output is stable after warming up for 3 minutes. If there is any abnormality in the use of the transmitter, please stop using it and check the luster of the transmitter, or contact our Technical Department for more information.

Human factors such as pressure control, contacting, and damage to the sensor diaphragm are not covered by this warranty.