
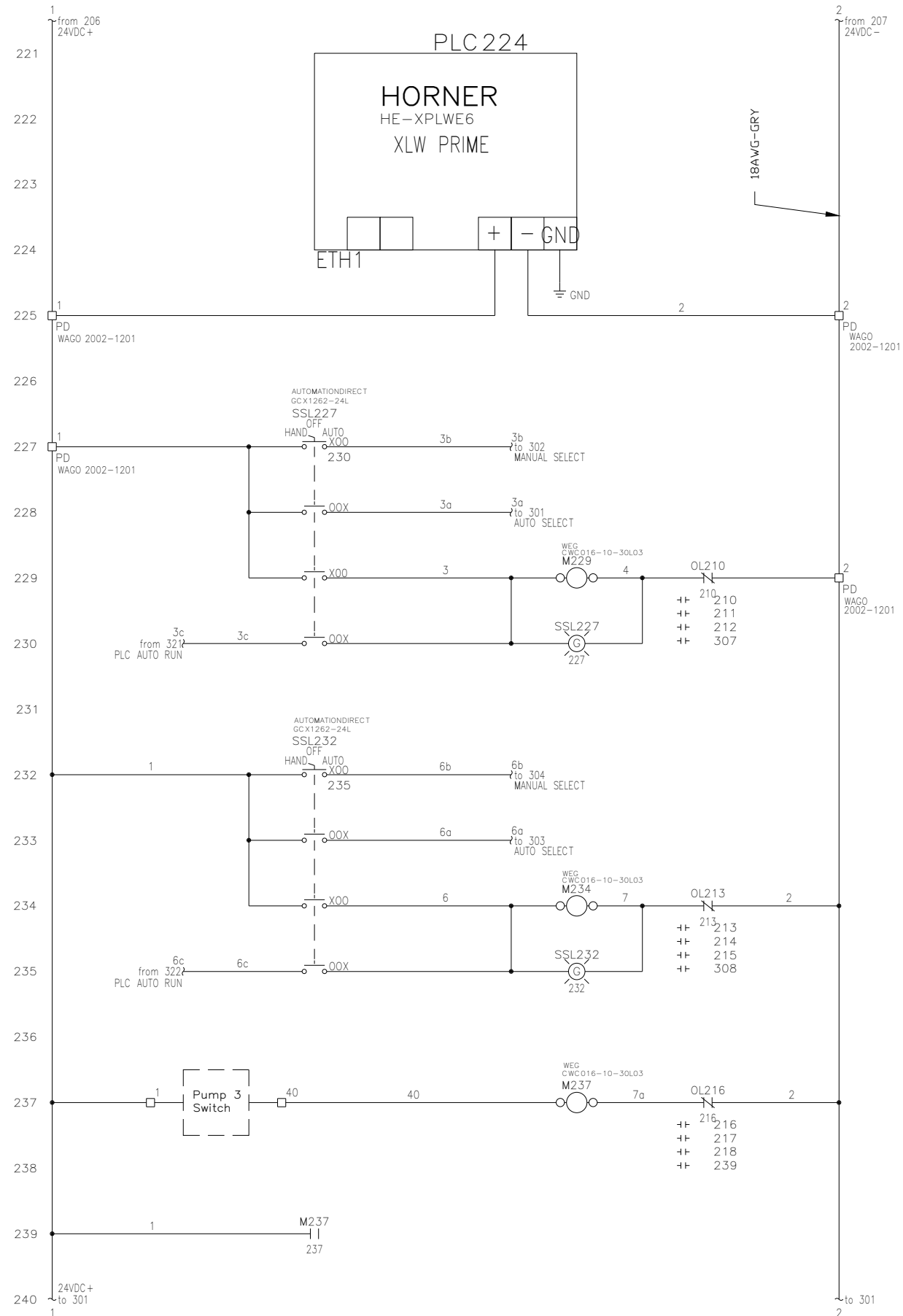
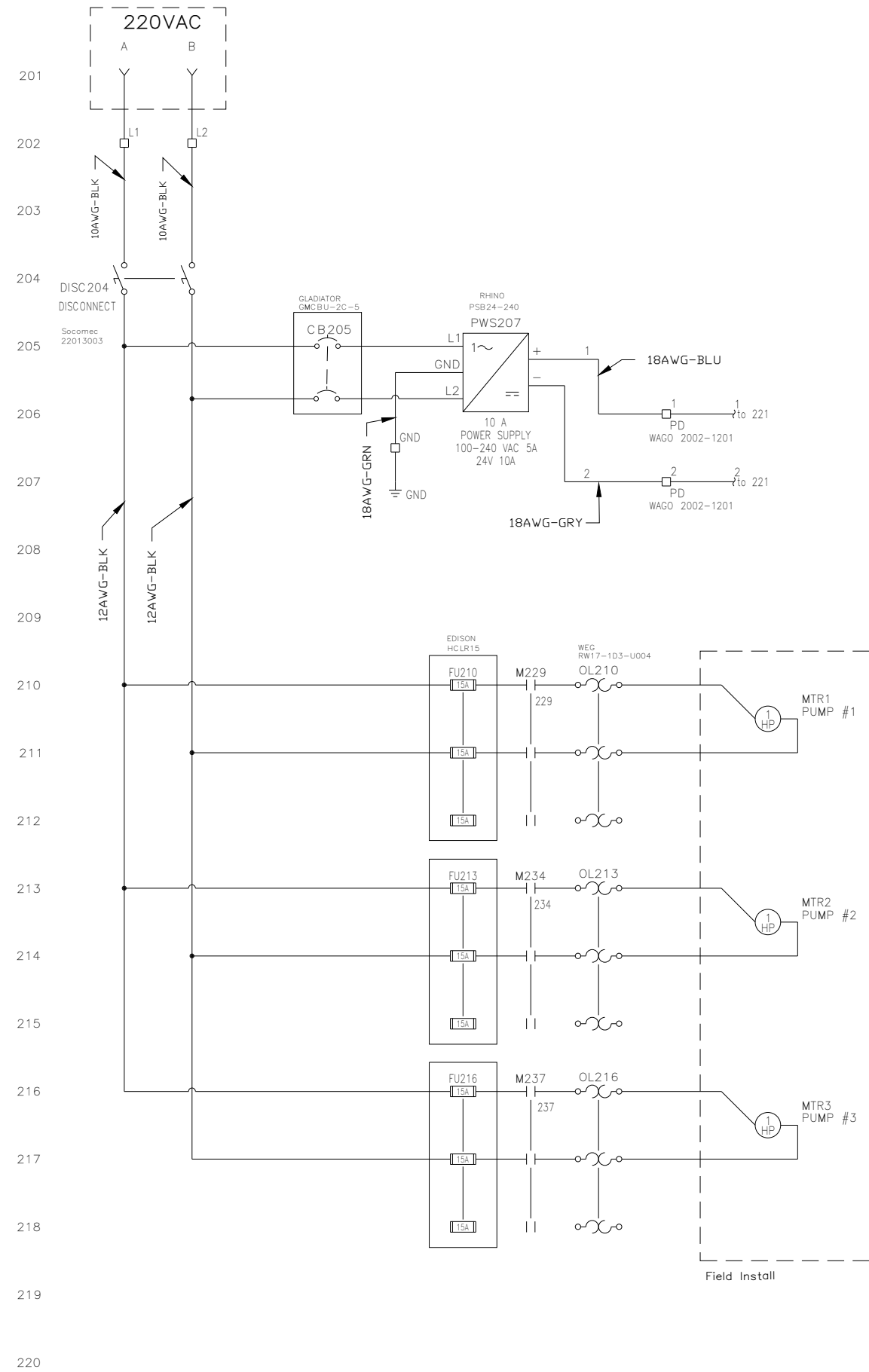


CERN PANEL

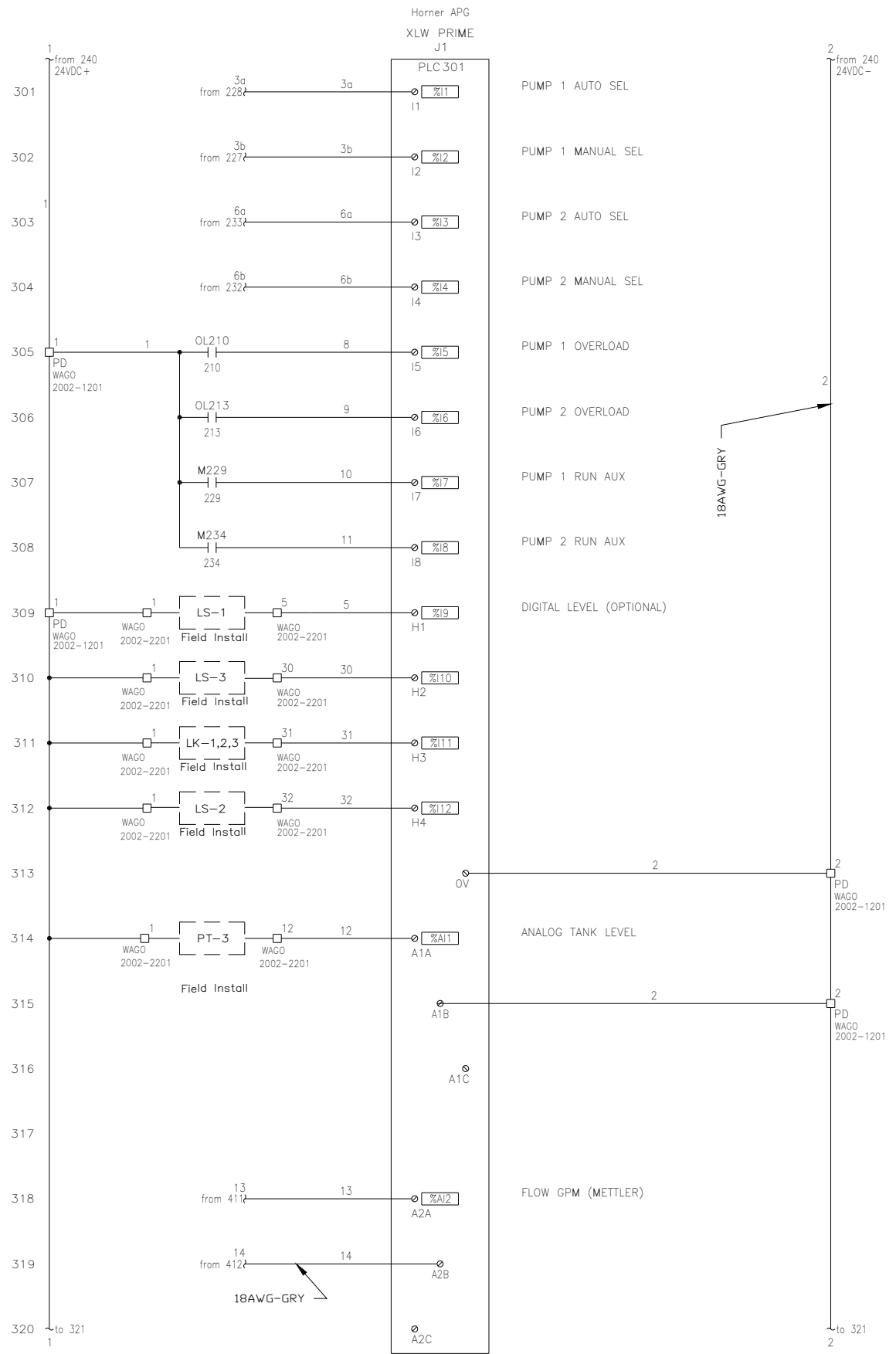
SOUTH COAST WATER

| | | | | | | | |
|--|----------------------|------------------------|------------------|-------------------------|----------|----------|---|
| South Coast Water CERN Pump | DESCRIPTION | | REVISIONS | | | | DEFAULT WIRE CODE |
| | ENGINEER W Rinear | CHECKED BY W Rinear | REV | DESCRIPTION | DATE | APPROVED | 18 AWG BLU |
| JOB NO | DRAWN BY K Bowles | REV | DATE 03/18/24 | DWG NO. SCW-TPP-CERN | LOCATION | NOTES | UNLESS OTHERSIDE NOTED, TERM BLOCK IS #2002-1301 |
|  open APPS SYSTEMS INTEGRATION SOLUTIONS | | | REV | DATE | LOCATION | SIZE | SHEET |
| | | | | | | B | 1 OF 5 |

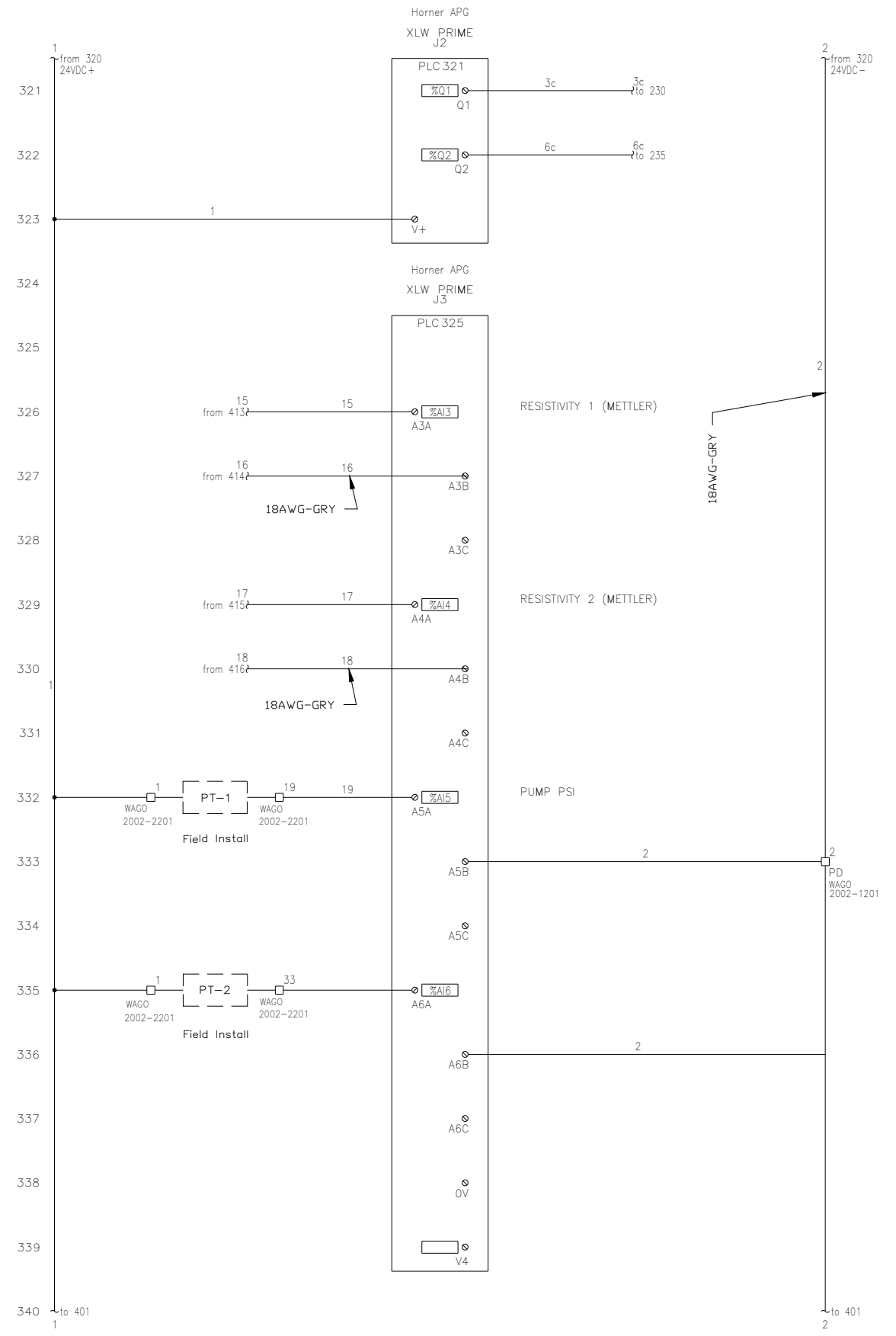


| | | | | | | | | | | | | | | | | | | | |
|--------------------------------|-------------|---|----------|------------|----------|-----------|-----|------|----------|---------|---------|----------|---------|-------|----------|----------|--|-----------|--|
| South Coast Water Dual Pump | DESCRIPTION | ENGINEER | W Rinear | CHECKED BY | W Rinear | REVISIONS | REV | DATE | 01/18/24 | DWG NO. | SCW-DPP | LOCATION | SCW-DPP | DATE | 01/18/24 | APPROVED | | REVISIONS | |
| | DESCRIPTION | ENGINEER | W Rinear | CHECKED BY | W Rinear | REVISIONS | REV | DATE | 01/18/24 | DWG NO. | SCW-DPP | LOCATION | SCW-DPP | DATE | 01/18/24 | APPROVED | | REVISIONS | |
| | DESCRIPTION | ENGINEER | W Rinear | CHECKED BY | W Rinear | REVISIONS | REV | DATE | 01/18/24 | DWG NO. | SCW-DPP | LOCATION | SCW-DPP | DATE | 01/18/24 | APPROVED | | REVISIONS | |
| DEFAULT WIRE CODE | | 18 AWG BLU | | | | | | | | | | | | | | | | | |
| NOTES | | UNLESS OTHERSIDE NOTED, TERM BLOCK IS #2002-1301 | | | | | | | | | | | | | | | | | |
| | | | | | | | | | | | | SIZE | B | SHEET | 2 OF 5 | | | | |





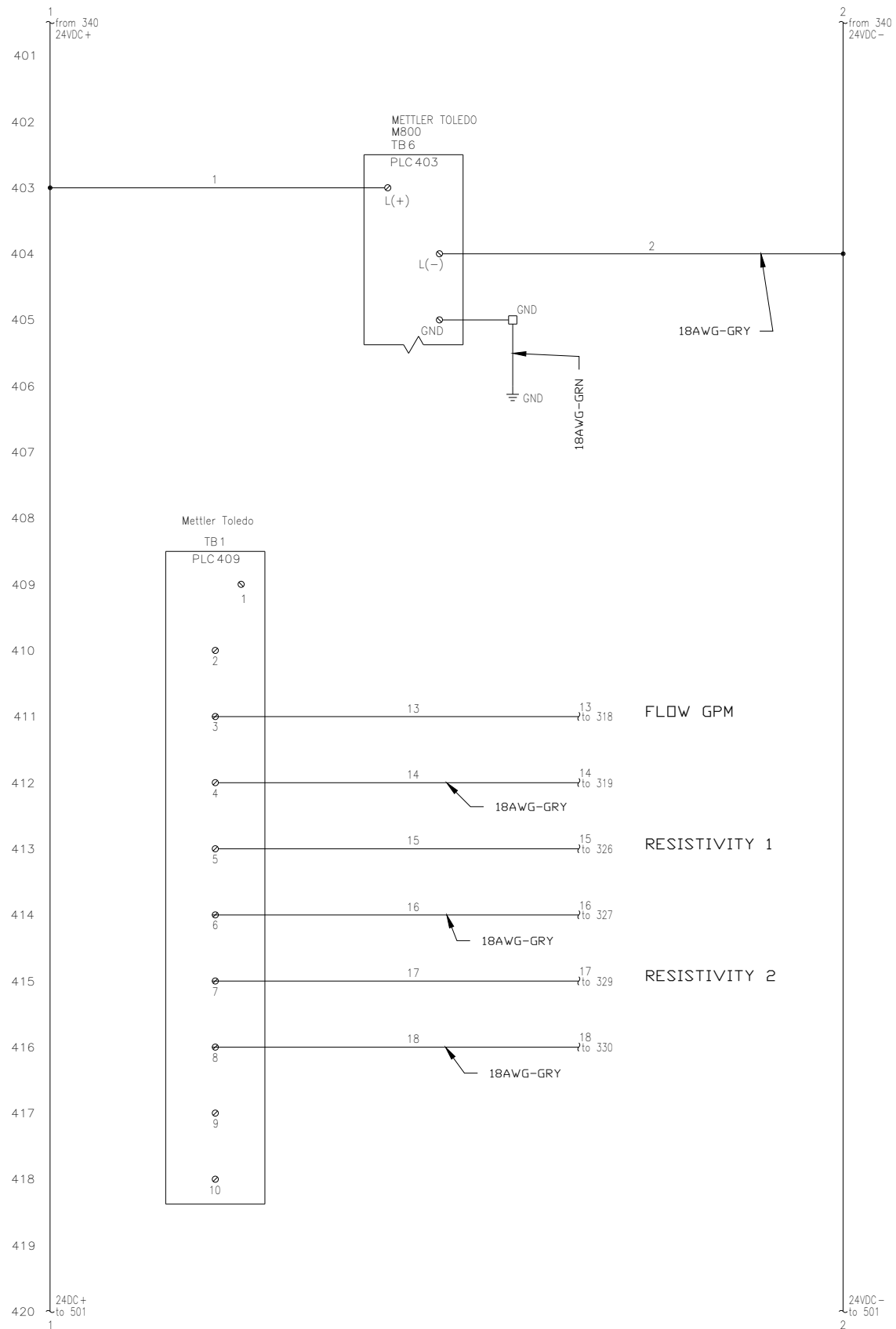
- PUMP 1 AUTO SEL
- PUMP 1 MANUAL SEL
- PUMP 2 AUTO SEL
- PUMP 2 MANUAL SEL
- PUMP 1 OVERLOAD
- PUMP 2 OVERLOAD
- PUMP 1 RUN AUX
- PUMP 2 RUN AUX
- DIGITAL LEVEL (OPTIONAL)
- ANALOG TANK LEVEL
- FLOW GPM (METTLER)



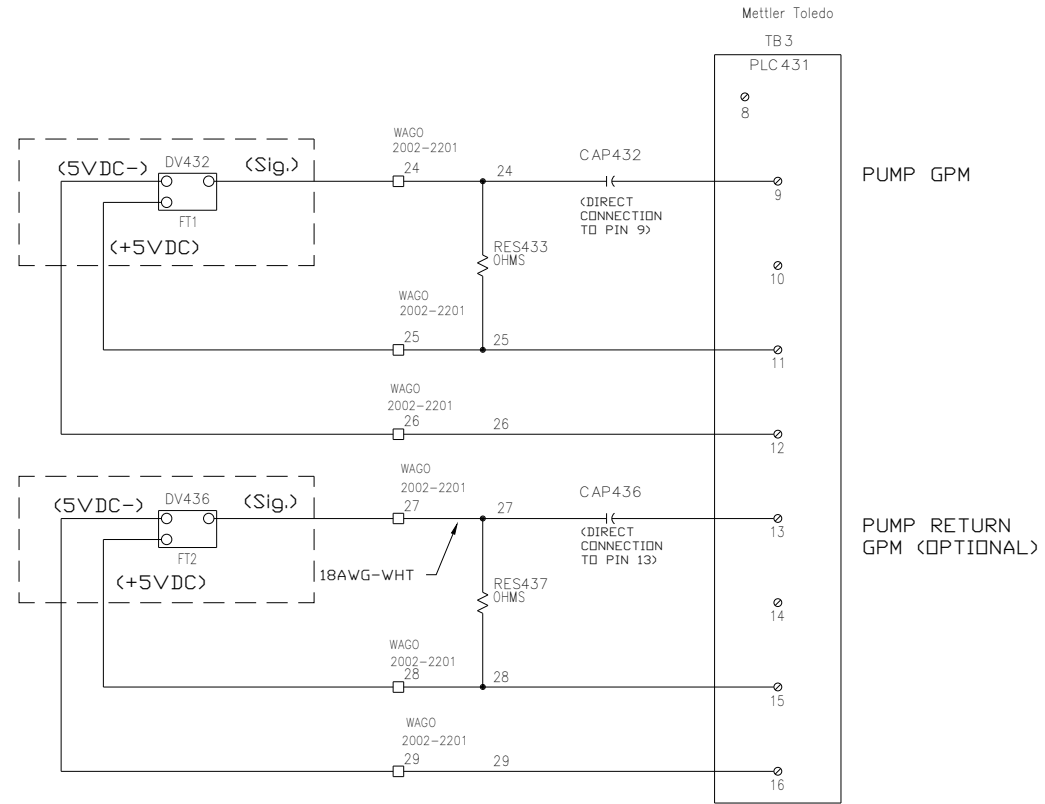
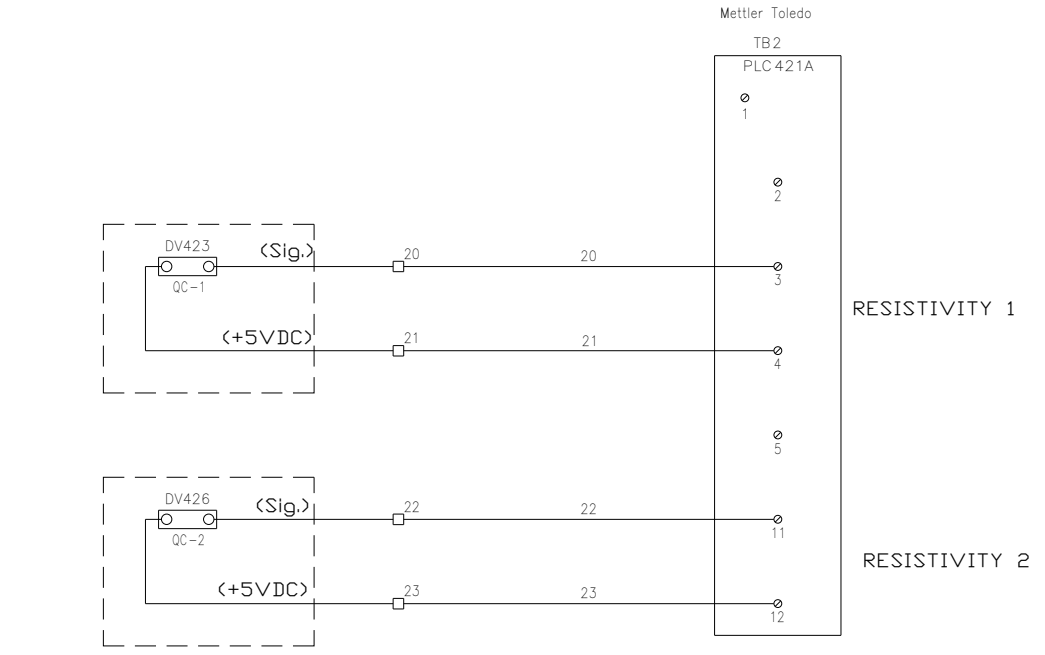
- RESISTIVITY 1 (METTLER)
- RESISTIVITY 2 (METTLER)
- PUMP PSI

| | | | |
|-------------------|--|---|--|
| DEFAULT WIRE CODE | | 18 AWG BLU | |
| REV | | DATE | |
| DESCRIPTION | | APPROVED | |
| ENGINEER | | NOTES | |
| CHECKED BY | | UNLESS OTHERSIDE NOTED, TERM BLOCK IS #2002-1301 | |
| W Rinear | | SIZE | |
| DRAWN BY | | B | |
| JOB NO | | SHEET | |
| K Bowles | | 3 OF 5 | |
| DESCRIPTION | | LOCATION | |
| South Coast Water | | SCW-DPP | |
| Dual Pump | | DATE | |
| 01/18/24 | | REV | |
| 01/18/24 | | DWG NO. | |
| 01/18/24 | | SCW-DPP | |





421
422
423
424
425
426
427
428
429
430
431
432
433
434
435
436
437
438
439
440



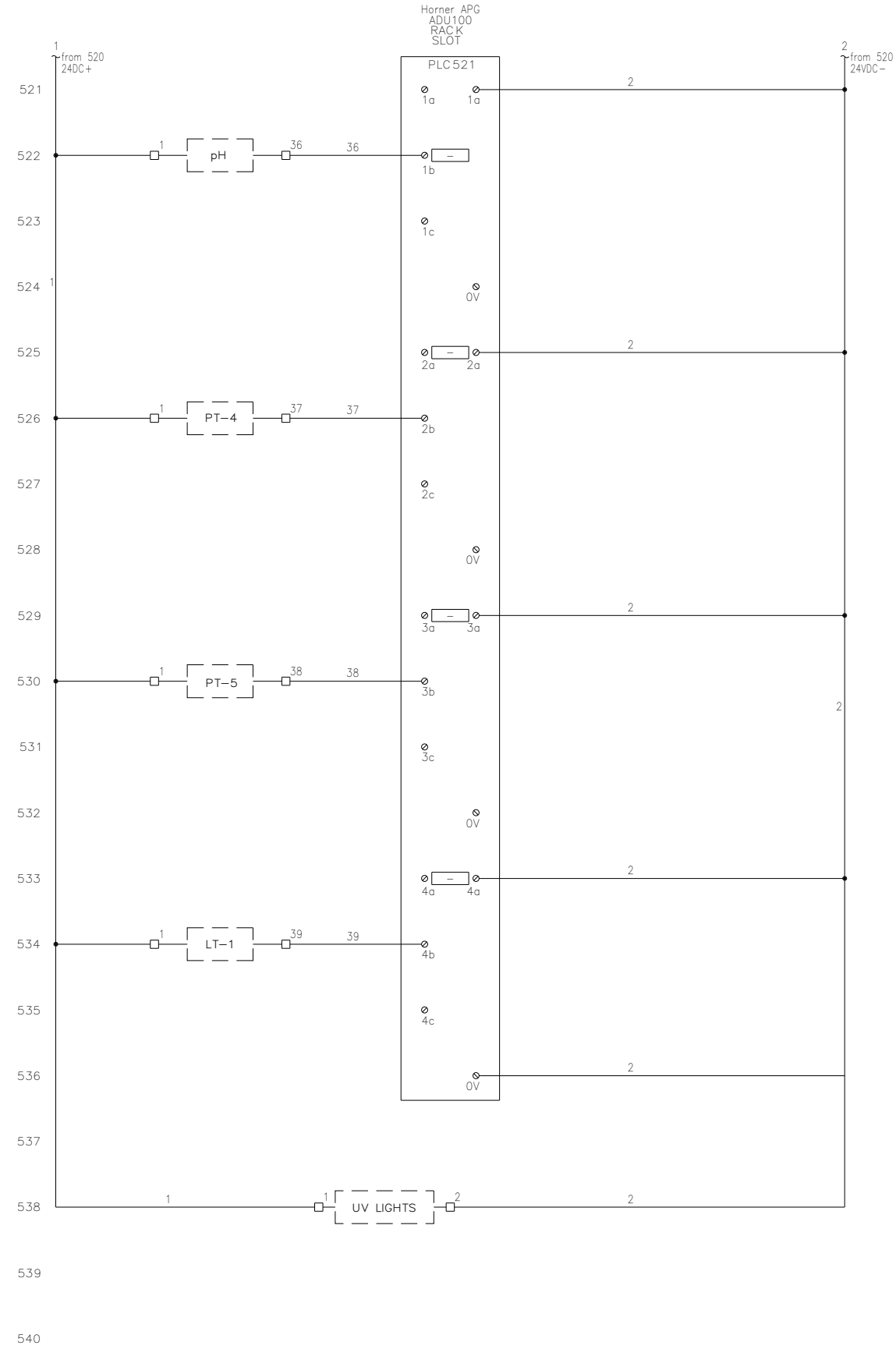
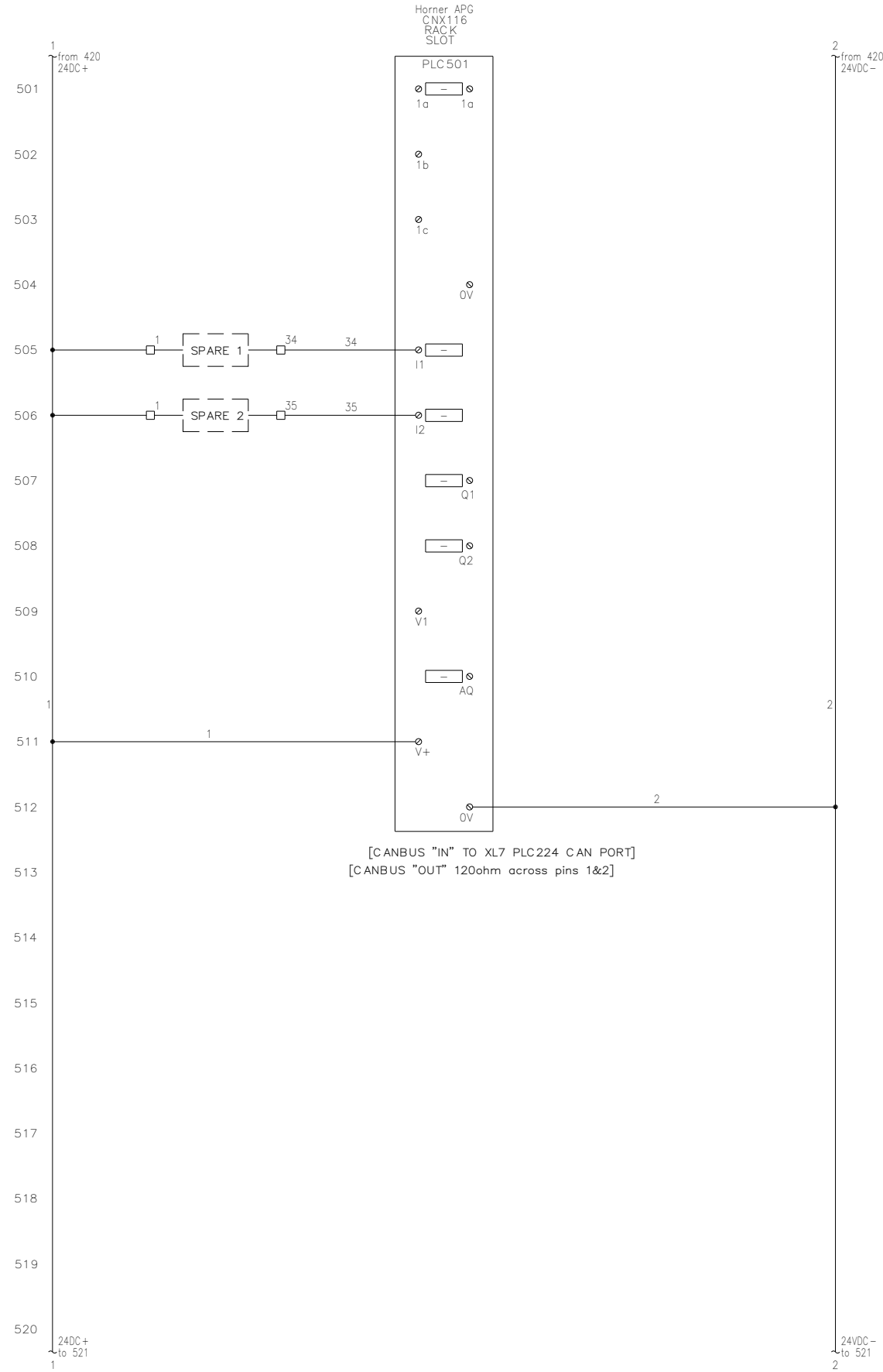
RESISTIVITY 1


RESISTIVITY 2

PUMP GPM

PUMP RETURN GPM (OPTIONAL)

| | | | | | | |
|-------------------|-------------|----------|----------|----------|---|------------|
| DESCRIPTION | REVISIONS | | DATE | APPROVED | DEFAULT WIRE CODE | 18 AWG BLU |
| | DESCRIPTION | DATE | APPROVED | NOTES | UNLESS OTHERSIDE NOTED, TERM BLOCK IS #2002-1301 | |
| | REV | DATE | REV | DWG NO. | SIZE | SHEET |
| South Coast Water | ENGINEER | W Rinear | DATE | 01/18/24 | SCW-DPP | 4 OF 5 |
| Dual Pump | CHECKED BY | W Rinear | REV | DATE | SCW-DPP | B |
| | | DRAWN BY | K Bowles | LOCATION | <p>South Coast Water</p> <p>Dual Pump</p> | |



| | | | | | |
|---|----------------------|------------------------|------------------|--------------------|--|
| South Coast Water Dual Pump | DESCRIPTION | | REVISIONS | | DEFAULT WIRE CODE |
| | ENGINEER W Rinear | CHECKED BY W Rinear | REV | DESCRIPTION | 18 AWG BLU |
|  open APPS SYSTEMS INTEGRATION SOLUTIONS | JOB NO | DRAWN BY K Bowles | DATE 01/18/24 | DWG NO. SCW-DPP | NOTES UNLESS OTHERSIDE NOTED, TERM BLOCK IS #2002-1301 |
| | | | REV | LOCATION | SIZE B |
| | | | | | SHEET 5 OF 5 |