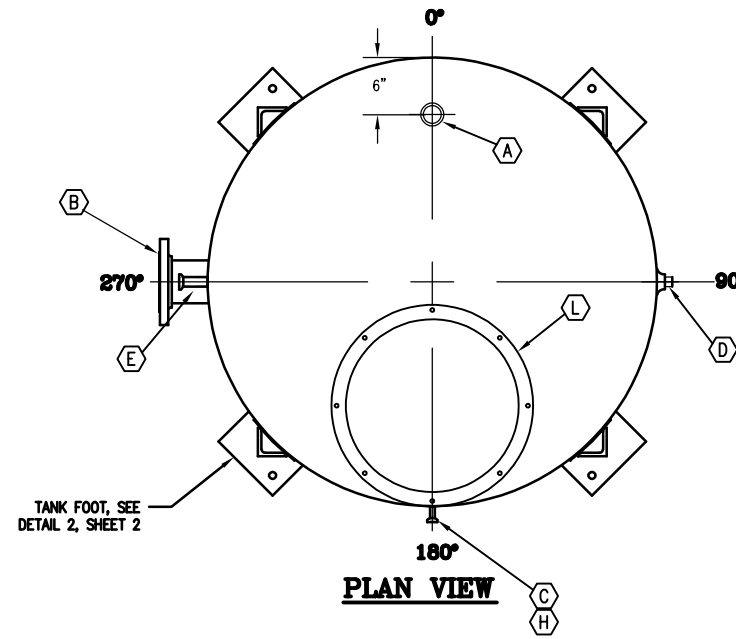


NOTE: TO BE USED WITH TEA DRAWING
MD-2411 REV GD-1 FOR STANDARD
TANK FITTING DETAILS/INSTALLATION

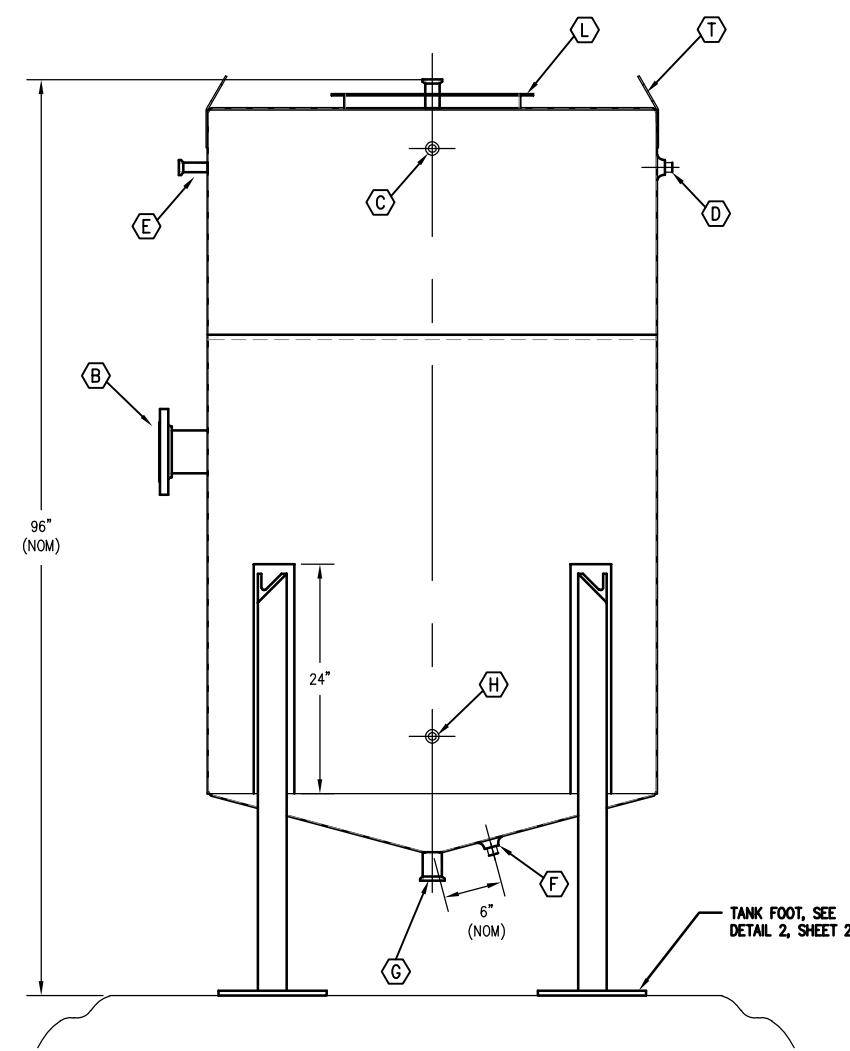
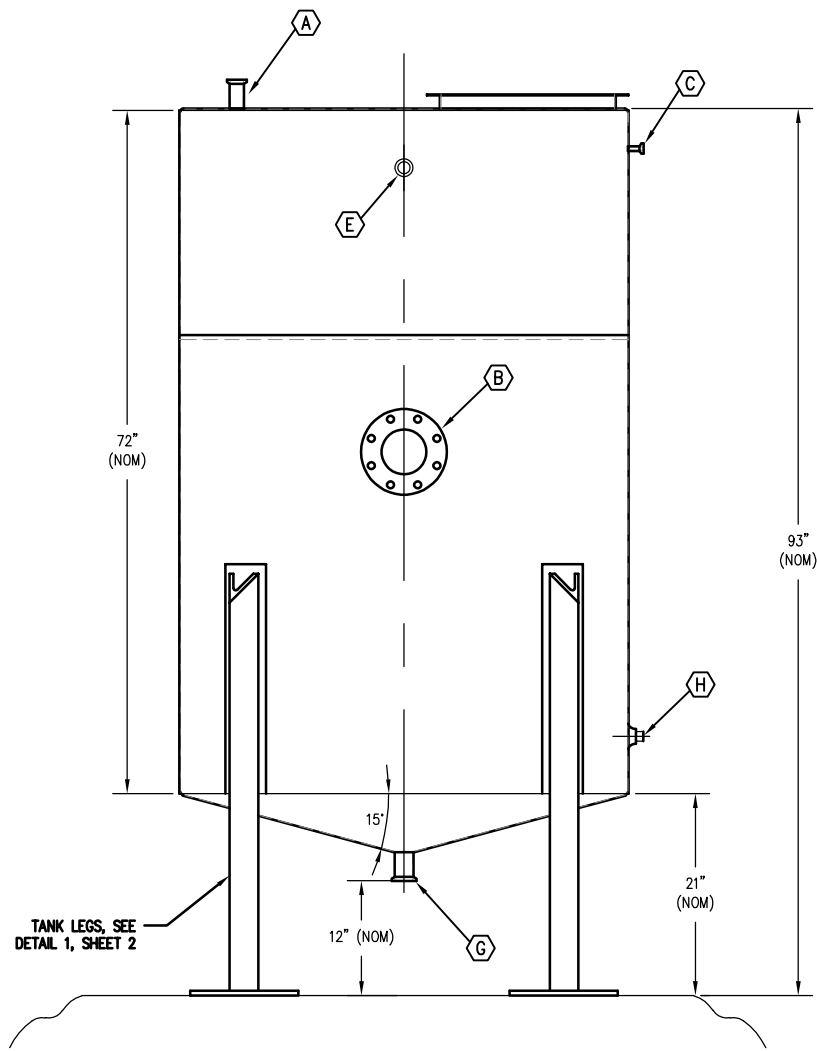
AS BUILT DRAWING



AS BUILT DRAWING

TANK DATA			
SERVICE:	WATER	CAPACITY (Gal.):	557 WEIGHT (Lbs.): 439
TANK DIA.:	47" DIA	WALL HEIGHT:	72" TOTAL HEIGHT:
OTHER:			
MATERIALS OF CONSTRUCTION <u>STAINLESS STEEL</u> TYPE: <u>316SS</u>			
WALLS: TOP Ga. <u>14</u> HEIGHT <u>24"</u> , MIDDLE Ga. <u>XX</u> HEIGHT <u>XX</u> , BOTTOM Ga. <u>14</u> HEIGHT <u>48"</u>			
HEADS: TOP Ga. <u>14</u> , BOTTOM Ga. <u>14</u> , COMMENTS:			
PUMPS: TYPE _____ H.P. _____ MOUNTING _____			
CONTROL PANEL: MTG.: FRAME _____ TANK _____ WALL _____			
SPECIAL TANK SERVICES:			
TOP SUPPORTS		YES <input type="checkbox"/> NO <input checked="" type="checkbox"/>	EARTHQUAKE RESTRAINTS YES <input type="checkbox"/> NO <input checked="" type="checkbox"/>


FITTING SCHEDULE					
ITEM	DESCRIPTION	ANG. LOC.	HEIGHT	DETAIL	FTG. SIZE
A	TRI-CLAMP	0°	TOP	S3	1 1/2"
B	HEATER FLANGE	270°	36"	R	4" FLG
C	TRI-CLAMP	180°	68"	S4	1/2"
D	COUPLING	90°	66"	F	1/2"
E	TRI-CLAMP, FILL	270°	66"	S4	1"
F	COUPLING	90°	SHOWN	F	1/2"
G	TRI-CLAMP, SUCTION	CENTER	BOTTOM	S3	2"
H	COUPLING	180°	6"	F	1/2"
K					
L	MANWAY	180°	TOP	W	18"
M					
N					
P					
Q					
R					
S					
T	LIFTING LUGS	0°/180°			
U					
SHELL SEAM		0°	DWG. BY: KDK	DATE: 4/17/19	APPD. BY: _____ DATE: _____
QUALITY CONTROL			MFG.	S.V.	SHIPPING



AS BUILT DRAWING

TOLERANCES		REVISIONS		BY DATE	
FRACTIONS=±1/16"	ANGLES=±3°			KDK	4/17/19
DLX=± 0.00X=± 0.00X=±				ISSUED	DATE
MAT=				DEPT. HEAD	DATE
STOCK P/N				KDK	6/21/18
FINISH=				FOREMAN	DATE
				OTHER	DATE
TAKEN FROM	SO #	SCALE	DWG #	SHEET	REV
	4122	1:20	MC-12424	1 OF 2	-

WORK ORDER#



RECYCLE WATER • SAVE ENERGY • RECAPTURE PROFIT
2250 W WENMORE ROAD TUCSON, AZ 85705
PHONE (520) 888-4000 FAX (520) 888-4457
EMAIL: ENGINEERING@TEAUSON.COM

TANK DRAWING WATER
47" DIA X 72" HIGH

SOUTH COAST WATER WIND LAB WINDER, GA