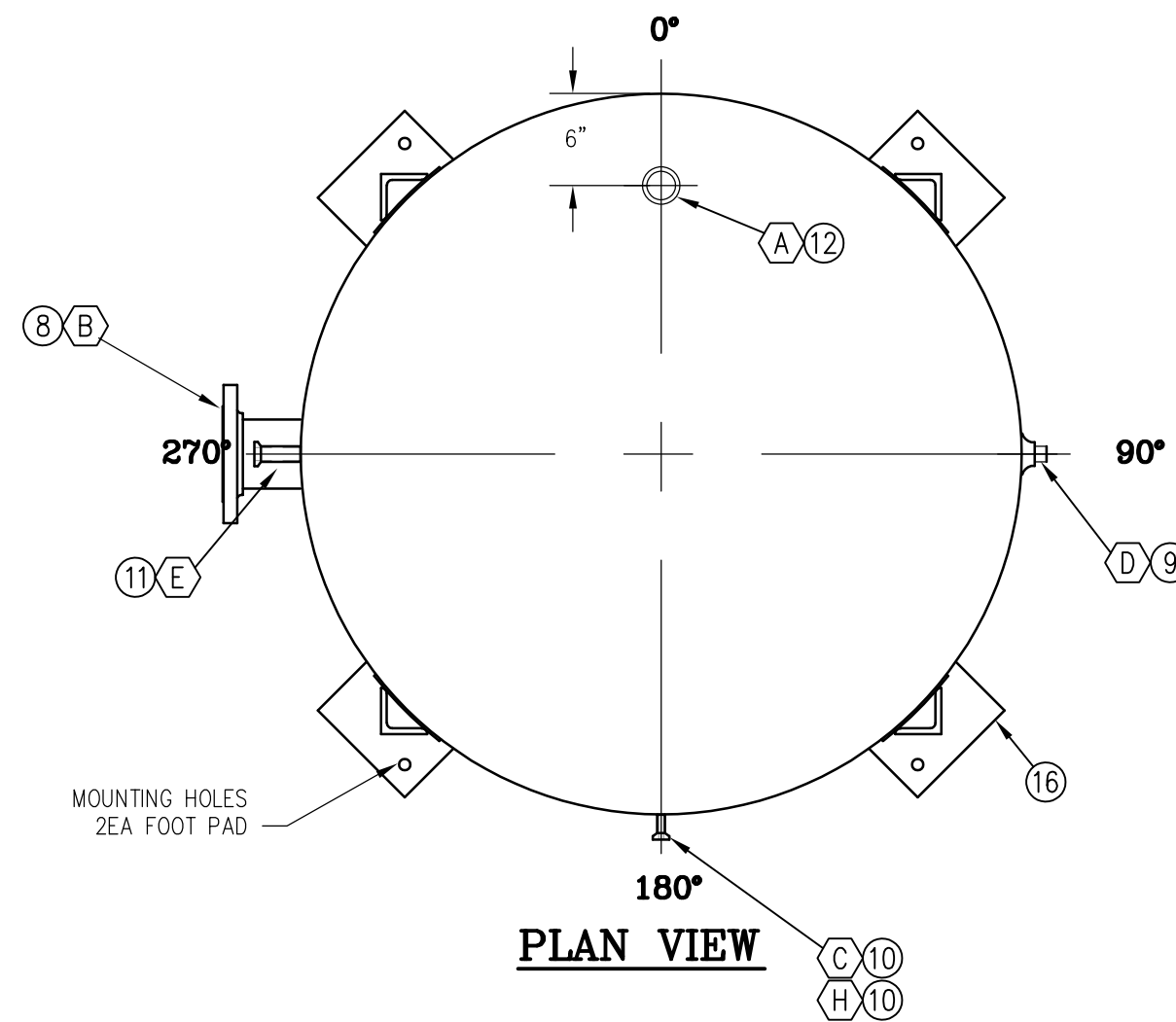
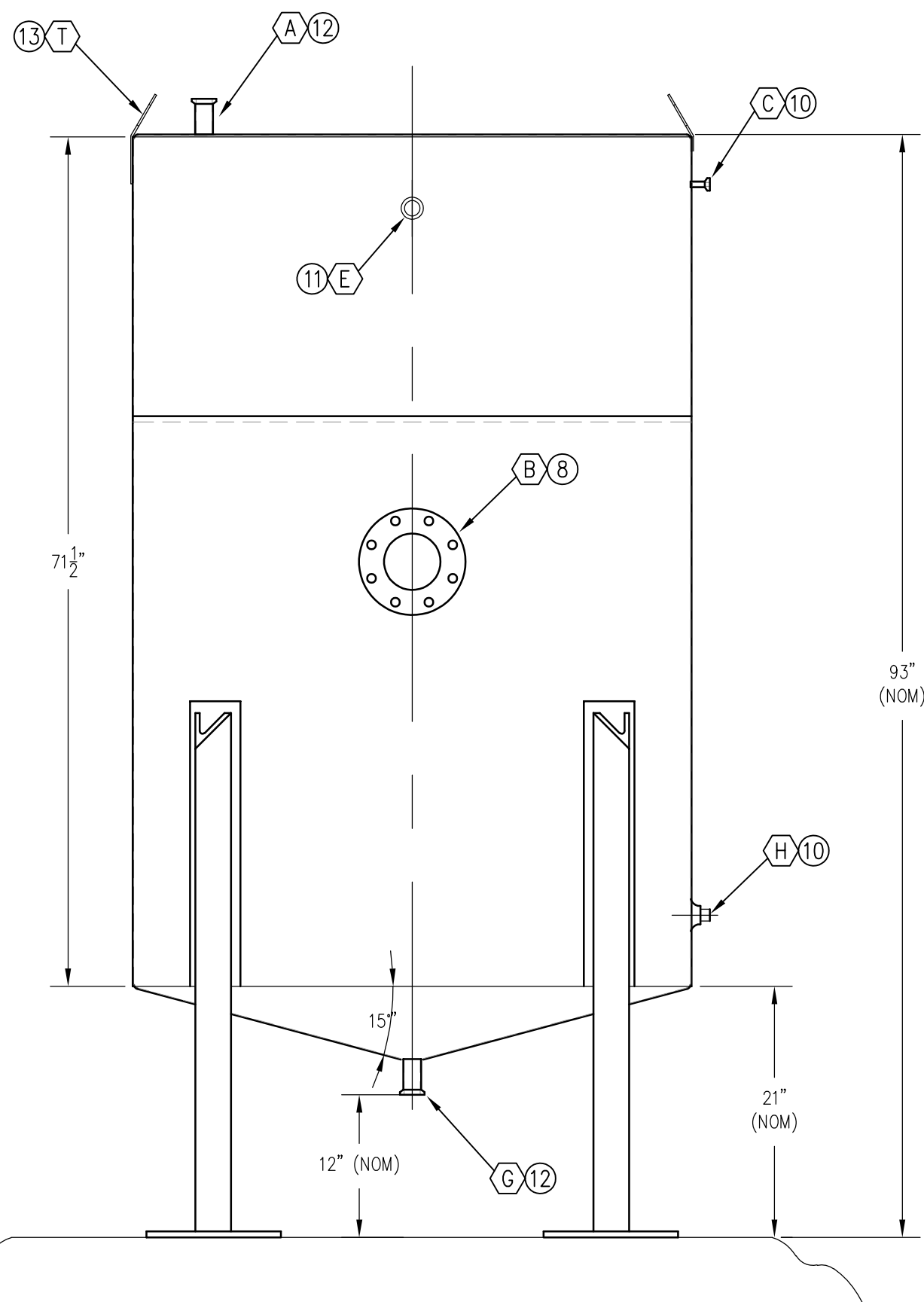


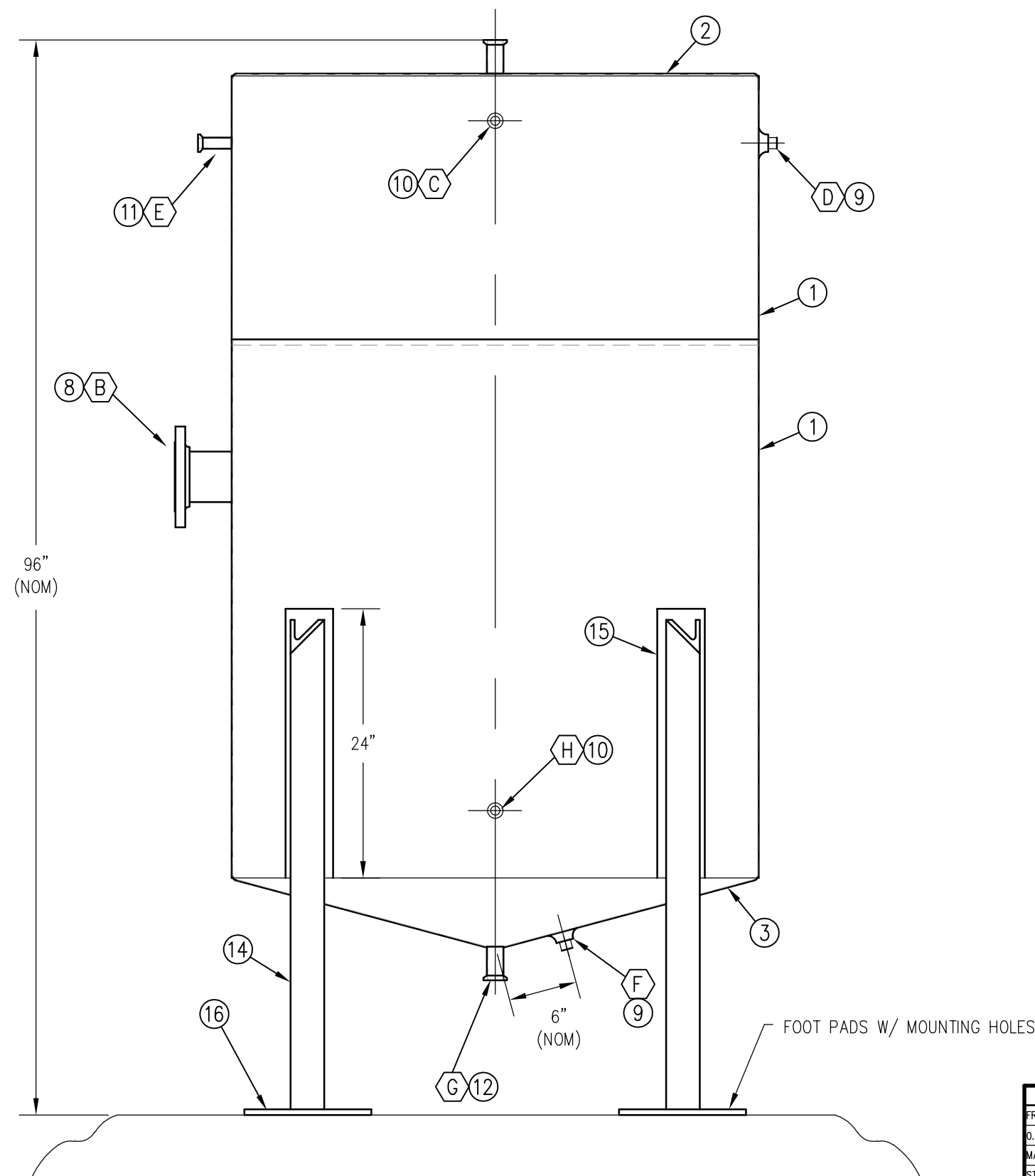
NOTE: TO BE USED WITH TEA DRAWING
MD-2411 REV GD-1 FOR STANDARD
TANK FITTING DETAILS/INSTALLATION



PLAN VIEW



ELEVATION VIEW - LEFT



ELEVATION VIEW

PARTS LIST					
ITEM	PART NAME	NO. REQ'D	PART NO.	DESCRIPTION	TOTAL MAT'L
1	SHELL	A/R	325316014048	STEEL, COILED, 316LSS, 14GAX48	75 SF
2	TOP	1	MA12315	TANK HEAD LAYOUT 48" 316SS	1 EA
3	BOTTOM	1	MA12425	CONE BOTTOM, TANK, 47" W/15' SLOPE	1 EA
4	MANWAY	-	-	-	-
5	OVERFLOW	-	-	-	-
6	TOP SUPPORTS	-	-	-	-
7	EARTHQUAKE RESTRAINTS	-	-	-	-
8	FLANGE	1	100387100400	FLANGE, WELD, SS, 4", SO.F.	1 EA
9	CPLG	2	101371030050	CPLG, 316SS, STD 1/2"	2 EA
10	FERRULE, SANITARY	1	800500020050	FERRULE, TANK, SANITARY, 1/2" 316SS	1 EA
11	FERRULE, SANITARY	1	800500000100	FERRULE, TANK, SANITARY, 1" 316SS	1 EA
12	FERRULE, SANITARY	2	800500000150	FERRULE, TANK, SANITARY, 1-1/2" 316SS	2 EA
13	LIFTING LUGS	2	MA9885	LIFTING LUG, TANK	2 EA
14	LEGS	4	302300300037	STEEL, ANGLE, CS, 3"x3"x3/8"	14 LF
15	PAD	4	327304012600	STEEL, FLATBAR, SS, 1/8"x6"	8 LF
16	FOOT	4	331050048048	STEEL, PLATE, SS, 1/2"	2.75 LF
17					
18					
19					

TANK DATA

SERVICE: WATER CAPACITY (Gal.): 557 WEIGHT (Lbs.): 439
TANK DIA.: 47" DIA WALL HEIGHT: 72" TOTAL HEIGHT: _____
OTHER: _____

MATERIALS OF CONSTRUCTION STAINLESS STEEL TYPE: 316SS
WALLS: TOP Ga. 14 HEIGHT 24", MIDDLE Ga. XX HEIGHT XX, BOTTOM Ga. 14 HEIGHT 48"
HEADS: TOP Ga. 14, BOTTOM Ga. 14, COMMENTS: _____
PUMPS: TYPE _____ H.P. _____ MOUNTING _____
CONTROL PANEL: MTG.: FRAME _____ TANK _____ WALL _____
SPECIAL TANK SERVICES: _____
TOP SUPPORTS YES ___ NO XX EARTHQUAKE RESTRAINTS YES ___ NO XX

FITTING SCHEDULE

ITEM	DESCRIPTION	ANG. LOC.	HEIGHT	DETAIL	FTG. SIZE
A	TRI-CLAMP	0°	TOP	S3	1 1/2"
B	HEATER FLANGE	270°	36"	Q	4" FLG
C	TRI-CLAMP	180°	68"	S4	1/2"
D	COUPLING	90°	66"	F	1/2"
E	TRI-CLAMP, FILL	270°	66"	S4	1"
F	COUPLING	90°	SHOWN	F	1/2"
G	TRI-CLAMP, SUCTION	CENTER	BOTTOM	S3	1 1/2"
H	COUPLING	180°	6"	F	1/2"
K					
L					
M					
N					
P					
Q					
R					
S					
T	LIFTING LUGS	0°/180°			
U					

SHELL SEAM 0° DWG. BY: KDK DATE: 4/17/19 APPD. BY: DATE: _____
QUALITY CONTROL MFG. S.V. SHIPPING

CAUTION: ALL FITTING MUST EXTEND
OUT 3" TO ALLOW FOR CUSTOMER SUPPLIED
TANK INSULATION

WORK ORDER# _____

TOLERANCES	REVISIONS	BY	DATE
FRACTIONS=1/16" ANGLES=1:3'		KDK	4/17/19
0.3X=± 0.0X=± 0.00X=±		ISSUED	DATE
MAT.-		DEPT. HEAD	DATE
STOCK P/N		KDK	6/21/18
FINISH-		FOREMAN	DATE
		OTHER	DATE

TEA
RECYCLE WATER • SAVE ENERGY • RECAPTURE PROFIT
2250 W WETMORE ROAD TUCSON, AZ 85705
PHONE (520) 888-4000 FAX (520) 888-4457
EMAIL: ENGINEERING@TEATUCSON.COM

TANK DRAWING WATER
47" DIA X 72" HIGH

SOUTH COAST WATER WIND LAB WINDER, GA

TAKEN FROM	SO #	SCALE	DWG #	SHEET	REV
	4121,4122	1:20	MC-12424	1 OF 1	-